



Yes, you can.®

**PORTABLE PATIENT LIFT
and SLINGS**

**OWNER'S
INSTALLATION AND OPERATING MANUAL**

SPECIAL NOTES

WARNING

DO NOT OPERATE THIS EQUIPMENT WITHOUT FIRST READING AND UNDERSTANDING THIS MANUAL. IF YOU ARE UNABLE TO UNDERSTAND THE WARNINGS, CAUTIONS AND INSTRUCTION; CONTACT A HEALTHCARE PROFESSIONAL (DOCTOR-THERAPIST) BEFORE ATTEMPTING TO USE THIS EQUIPMENT - OTHERWISE INJURY OR DAMAGE MAY RESULT.

S
P
E
C
I
A
L
N
O
T
E
S

MAINTENANCE

Maintenance MUST be performed ONLY by qualified personnel.

WARNING notices as used in this manual apply to hazards or unsafe practices which could result in serious bodily harm.

CAUTION notices as used in this manual apply to hazards or unsafe practices which could result in minor personal injury or property damage.

NOTES highlight procedures and contain information which assist the operator in understanding the information contained in this manual.

NOTICE

The information contained in this document is subject to change without notice.

**SAVE THESE INSTRUCTIONS
AND
KEEP WITH PATIENT LIFT AT ALL TIMES.**

TABLE OF CONTENTS

SPECIAL NOTES	2
SAFETY SUMMARY	4
SPECIFICATIONS	5
FEATURES	
HANDLING PROCEDURES	9
Shipping and Transportation Instructions	9
Unpacking	9
Inspection	9
Storage	9
ASSEMBLY	10
Assembly of the Patient Lift	10
Base, Mast and Boom Assembly	10
Base Shifter Handle Assembly	11
Swivel Bar Attachment with Eye or Mounting Bracket	12
ONE-PIECE CONTOUR SLINGS	13
Slings Using Chains, O-Rings and D-Rings	13
Chain-Free All Fabric Slings	13
Positioning the Contour Sling (WITHOUT Headrest)	14
Positioning the Patient on the Sling (WITHOUT Headrest)	14
Positioning the Contour Sling (WITH Headrest)	16
Positioning the Patient on the Sling (WITH Headrest)	16
MODEL NO. 9040 WRAP-AROUND / MODEL NO. 9742 UNIVERSAL DELUXE SLINGS	18
ATTACHING THE SLING HARDWARE	20
Inserting the four (4) Metal Support Bars in the Sling	20
Attaching the Chains or Adjustable Straps to the Sling	21
ATTACHING THE CHAIN-FREE ALL FABRIC SLINGS	23
OPERATION	24
Operating the Patient Lift	24
To Open the Legs of the Adjustable Base	24
Raising / Lowering Model No. 9801, 9802, 9803, 9805, 9805P, 9806 and 9807 Hydraulic Lifts	25
Raising / Lowering Model No. 9817, 9818 and 9819 Manual (Crank) Lift	25
LIFTING THE PATIENT	26
TRANSPORTING PATIENT FOR USE OF THE BATHROOM FACILITIES	29
Transferring to a Commode Chair	29
Transferring to a Standard Commode	30
Bathing	30
TRANSFERRING TO A WHEELCHAIR	31
TRANSFERRING FROM A WHEELCHAIR TO A CAR	32
TRANSFERRING FROM A CAR TO A WHEELCHAIR	34
CARE AND MAINTENANCE OF YOUR PATIENT LIFT	35
MAINTENANCE SAFETY INSPECTION CHECKLIST	36
ACCESSORIES	37
Invacare 9833A Weight Module	37
LIMITED WARRANTY	39

SAFETY SUMMARY

**S
A
F
E
T
Y

S
U
M
M
A
R
Y**

WARNING

Check all parts for shipping damage before using. In case of damage, do NOT use the equipment. Contact the Dealer for further instructions.

The Invacare patient lift is NOT a transport device. It is intended to transfer an individual from one resting surface to another (such as a bed to a wheelchair). Moving a person suspended in a sling over ANY distance is NOT recommended.

DO NOT attempt any transfer without approval of the patient's physician, nurse or medical attendant. Thoroughly read the instructions in this Owner's Manual, observe a trained team of experts perform the lifting procedures and then perform the entire lift procedure several times with proper supervision and a capable individual acting as a patient.

Use common sense in all lifts. Special care MUST BE taken with physically challenged individuals who cannot cooperate while being lifted. Use restraint straps if necessary.

Invacare slings and patient lift accessories are specifically designed to be used in conjunction with Invacare patient lifts. Slings and accessories designed by other manufacturers are not to be utilized as a component of Invacare's patient lift system. Use of these products is prohibited and will void Invacare's patient lift warranty. Use only genuine Invacare slings and lift accessories to maintain patient safety and product utility.

Use a sling that is recommended by the individual's doctor, nurse or medical attendant for the comfort and safety of the individual being lifted.

DO NOT use any kind of plastic back incontinence pad or seating cushion between the patient and sling material that may cause the patient to slide out of the sling during a transfer.

When using an adjustable base lift, the legs MUST BE in the maximum OPENED/LOCKED position BEFORE lifting the patient.

Before transferring a patient from a stationary object (wheelchair, commode or bed), slightly raise the patient off the stationary object and check all sling hardware for secure attachment to include swivel bar, straps, S-hooks and D or O-rings. If any attachment is not correct, lower the patient and correct the problem, then raise the patient and check again.

During transfer, with patient suspended in a sling attached to the lift, DO NOT roll caster base over objects such as carpets, raised carpet bindings, door frames, or any uneven surfaces or obstacles that would create an imbalance of the patient lift and could cause the patient lift to tip over. Use steering handles on the mast at ALL times to push or pull the patient lift.

After the first 12 months of operation, inspect the swivel bar and the boom (to which it attaches) for wear. If the metal is worn, the parts MUST be replaced. Make this inspection every three (3) months thereafter.

The hydraulic pump is sealed at the factory and if service is required, the pump unit MUST BE returned to the factory for repair. DO NOT attempt to open the hydraulic pump or obtain local service as this will VOID the warranty and may result in damage and a costly repair. Consult your Dealer or Invacare for further information.

Casters and axle bolts require inspection every six (6) months to check for tightness and wear.

Regular maintenance of the patient lift and accessories is necessary to assure proper operation.

DO NOT exceed maximum weight limitation of the patient lift. These suggested weight limitations will vary from 300 to 450 lbs. depending on the type of patient lift purchased. Refer to the SPECIFICATIONS in this Owner's Manual for maximum weight limitation.

SPECIFICATIONS

**S
P
E
C
I
F
I
C
A
T
I
O
N
S**

	9801 Hydraulic Adj.	9802 Hydraulic Offset Adj.	9803 Hydraulic "C"	9805 Hydraulic Adj.	9805P Hydraulic Adj.	9806 Hydraulic Offset Adj.	9807 Hydraulic "C"	9817 Manual Crank Adj.	9818 Manual Crank Offset Adj.	9819 Manual Crank "C"
Base (ONLY):	9884	9885	9886	9884	9884P	9885	9886	9884	9885	9886
Mast (ONLY):	9800	9800	9800	9800A	9800AP	9800A	9800A	9816	9816	9816
Base Width (Inches) OPEN: CLOSED:	42.25 22.00	42.25 22.00	25.50 -----	42.25 22.00	42.25 22.00	42.25 22.00	25.50 -----	42.25 22.00	42.25 22.00	25.50 -----
Base Height (Clearance): (Inches)	6.50	4.75 to 6.50	6.50	6.50	6.50	4.75 to 6.50	6.50	6.50	4.75 to 6.50	6.50
Base Length: (Inches)	46.75	46.75	47.75	46.75	46.75	46.75	47.75	46.75	46.75	47.75
Boom Height at Sling Attachment: (Inches) Min.: Max.: Range:	17.75 63.25 44.50	17.75 63.25 44.50	18.25 61.50 43.25	17.00 61.00 44.00	17.00 61.00 44.00	17.00 61.00 44.00	15.50 59.50 44.00	20.75 61.25 41.50	20.75 61.25 41.50	18.00 59.50 41.50
Boom Overall Height:	77.27	77.25	75.50	73.00	73.00	73.00	71.50	76.25	76.25	73.50
Weight Capacity: (lbs.)	450	450	450	450	450	450	450	300	300	300
* Caster Size: (Inches)	5.00	5.00 to 3.00	5.00	5.00	5.00	5.00 to 3.00	5.00	5.00	5.00 to 3.00	5.00
Weight: (Unit in Carton) (lbs.)	88	86	84	85	85	84	82	87	85	83

* Optional 5-inch locking casters (Model No. 9935) for rear casters ONLY.

FEATURES

HYDRAULIC LIFTS (FIGURE 1)

Hydraulic pump suggested operating limit is 450 lbs. Masts are interchangeable with bases. Lock together. Can be separated for storage.

Operation optimizes lift capabilities. Requires less physical effort for raising patient.

Offset mast and boom style provides better lift path. Maximizes full travel range.

Pump handle can rotate from side-to-side for convenience of attendant.

FEATURES

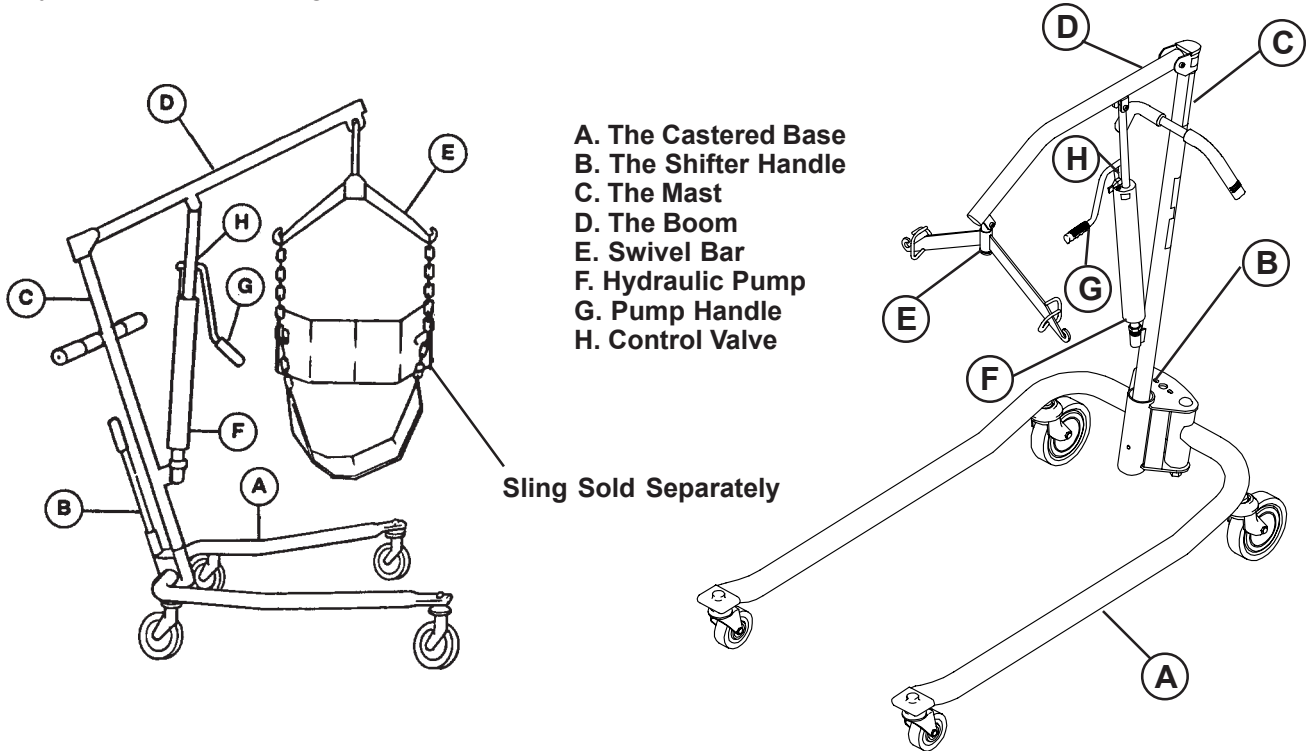


FIGURE 1 - HYDRAULIC LIFTS

MANUAL (CRANK) LIFT (FIGURE 2)

Crank lift suggested operating limit is 300 lbs.

Masts are interchangeable with bases. Lock together. Can be separated for storage.

Operation optimizes lift capabilities. Requires less physical effort for raising patient.

Offset mast and boom style provides better lift path. Maximizes full travel range.

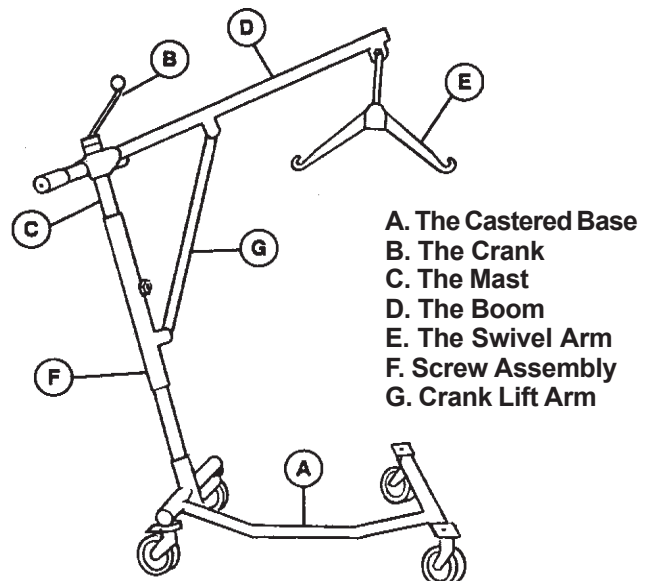


FIGURE 2 - MANUAL (CRANK) LIFT

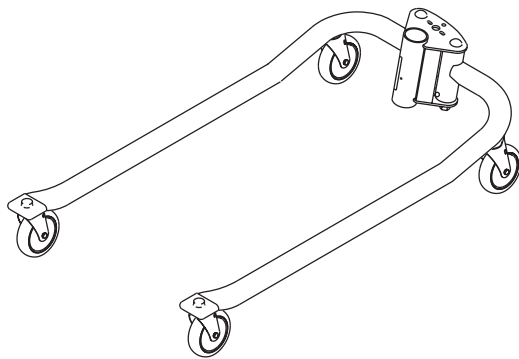
FEATURES (Cont.)

BASES FOR HYDRAULIC OR MANUAL (CRANK) LIFTS

Bases are interchangeable with masts. Can be separated for storage.

Completely enclosed cam moves legs of adjustable base. Ideal for cleaning and offers obstruction free operation.

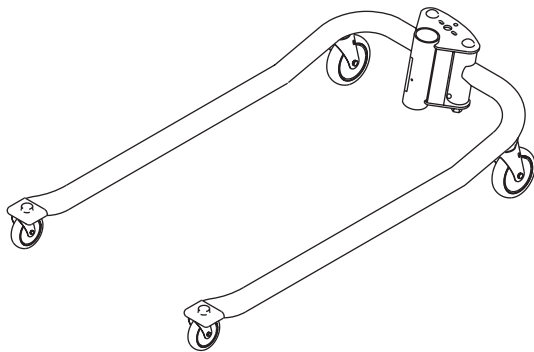
Base Model 9884 (Chrome Plated) and 9884P (Painted) - Uses 5-inch casters, opens the base legs from 22 to 42-1/4-inches.



Model 9884 Adjustable Base for 9801, 9805, and 9817 Lift

Model 9884P Painted Adjustable Base for 9805P Lift
FIGURE 3 - ADJUSTABLE BASE

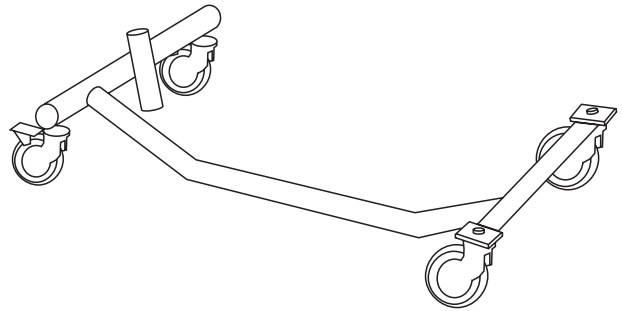
Base Model 9885 (Chrome Plated) - uses 5-inch casters in rear and 3-inch casters in front. Opens legs from 22 to 42-1/4-inches.



Model 9885 Offset Adjustable Base for 9802, 9806 and 9818

FIGURE 4 - ADJUSTABLE OFFSET BASE

Base Model 9886 (Epoxy Coated) - "C" base with 5-inch casters and can be used to lift patient from wheelchairs, lift chair, etc.



Model 9886 "C" Base for 9803, 9807 and 9819
FIGURE 5 - C BASE

Locking Caster Model 9935 (Accessory) - locking 5-inch casters are available as an option for rear of base ONLY.

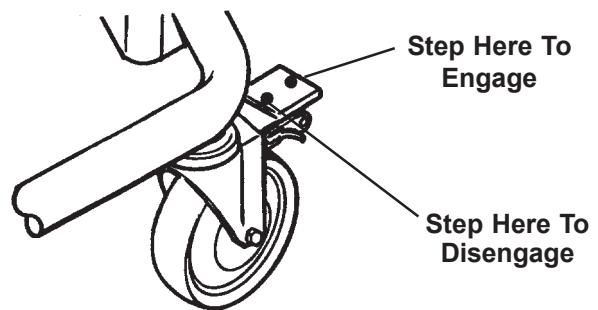


FIGURE 6 - 5-INCH LOCKING CASTER

FEATURES (Cont.)

PATIENT SLINGS

WARNING

Use a sling that is recommended by the individual's doctor, nurse or medical attendant for the comfort and safety of the individual being lifted.

Patient slings work in conjunction with lifts to support the patient during lifting and transferring procedures.

Slings attach to the lift by using either sewn-in loop straps, chains or adjustable straps. Slings are adjustable. They are interchangeable with any Invacare patient lift.

Each sling offers reinforcing at each hook-on point to ensure patient safety.

Each sling is constructed of durable materials which resist deterioration from exposure to moisture or laundering.

Model Nos. *9042, *9043, 9044, and 9045 for Canvas Slings

Model Nos. *9046, *9047, 9048 and 9049 for Nylon Mesh Slings (FIGURE 7)

The one-piece contour sling can be used on heavy or light patients. Supports patient from shoulders to the knees. Used for weighing, transferring or to simplify the use of bathroom facilities.

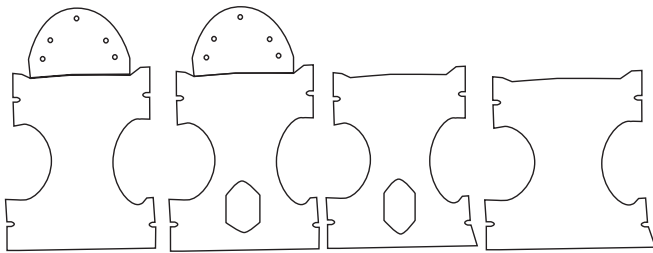
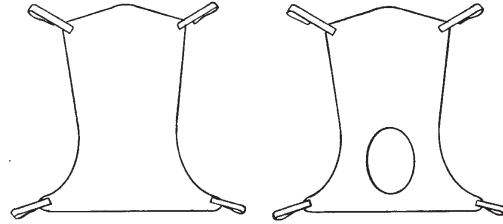


FIGURE 7 - MODEL NOS. *9042, *9043, 9044, 9045, *9046, *9047, 9048 AND 9049 SLINGS

**These models also available in Extra Wide and Petite.*

Model No. 9746 Hammock and Model No. 9747 Hammock w/Commode Opening (FIGURE 8)

NOTE: Both slings have a headrest built in.



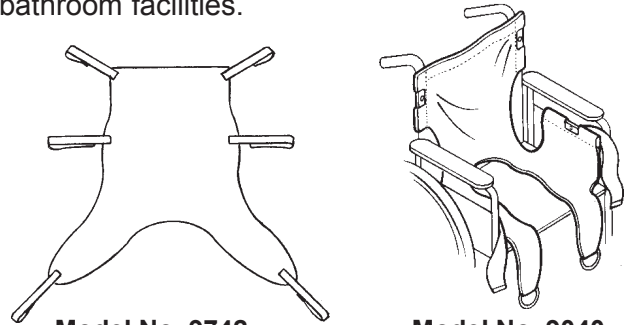
Model No. 9746

Model No. 9747

FIGURE 8 - MODEL NO. 9746 HAMMOCK AND MODEL NO. 9747 HAMMOCK w/COMMODOE OPENING SLINGS

Model No. 9742 Universal Deluxe and Model No. 9040 Wrap-Around Slings (FIGURE 9)

Divided leg design is best suited for high level spinal cord injuries or patients where sling removal is more difficult. Support ranges from the upper back to beneath the thighs. Can be positioned with patient seated. Greatly simplifies the use of bathroom facilities.



Model No. 9742

Model No. 9040

FIGURE 9 - MODEL NO. 9742 UNIVERSAL DELUXE AND 9040 WRAP-AROUND SLINGS

ACCESSORIES

Model 9833A Weight Module (Digital Scale) and Adapter Bracket

450 lbs. Capacity
 Accurate within 0.25 grams
 Measures 4.5-inches (Height)

NOTE: Refer to Accessories Section in the back of this manual for correct operation and installation of the Model 9833A Digital Scale.

HANDLING PROCEDURES

SHIPPING AND TRANSPORTATION INSTRUCTIONS

If the Patient Lift is to be reshipped by common carrier, it should be packed in the same carton. Extra cartons are available from Invacare.

Unpacking

1. Check for any obvious damage to the carton or its contents. If damage is evident, notify Carrier/Invacare Dealer.
2. Remove all loose packing from the carton.
3. Carefully remove all the components from the carton.

NOTE: Unless the Patient Lift is to be used immediately, retain boxes, containers and packing material for use in storing until use of the Patient Lift is required.

Inspection

1. Examine exterior of the Patient Lift for nicks, dents, scratches or damages. Inspect all components.

Storage

1. Store the repackaged Patient Lift in a dry area.
2. DO NOT place other objects on top of the repackaged Patient Lift.

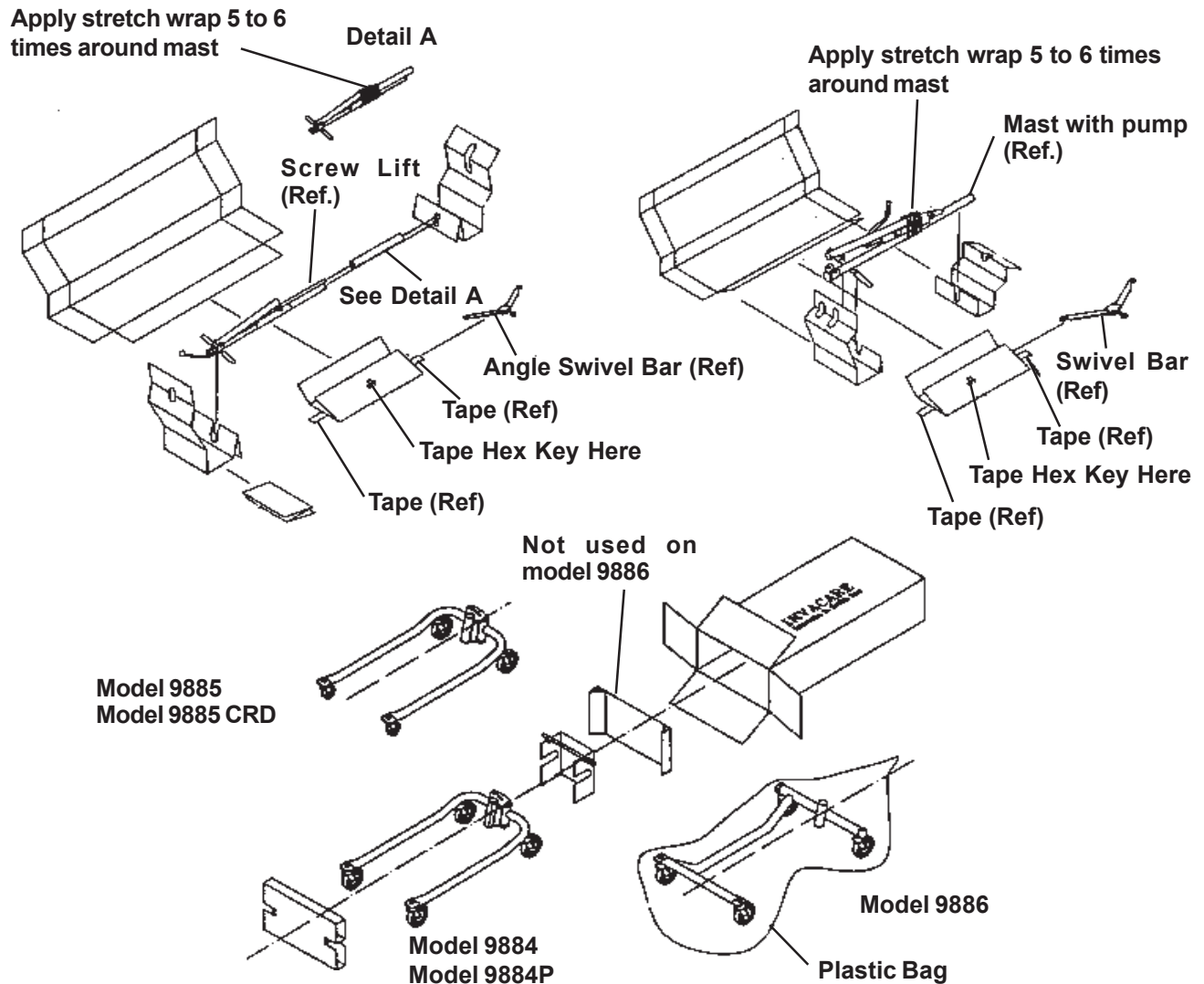


FIGURE 1 - PACKAGING

ASSEMBLY

ASSEMBLY

ASSEMBLY OF THE PATIENT LIFT

Model No. 9817 - Manual (Crank) Lift w/Adjustable Width Base

Model No. 9818 - Manual (Crank) Lift w/Offset Adjustable Width Base

Model No. 9819 - Manual (Crank) Lift w/"C" Base

Model Nos. 9801, 9805, 9805P - Hydraulic Lift w/Adjustable Width Base

Model Nos. 9802 and 9806 - Hydraulic Lift w/Offset Adjustable Width Base

Model Nos. 9803 and 9807 - Hydraulic Lift w/"C" Base

WARNING
 Use only Invacare parts in the assembly of this lift. The base legs, the mast, boom, pump assembly and the swivel bar are manufactured to specifications that assure correct alignment of all parts for safe functional operation.

Base, Mast and Boom Assembly

1. Unpack the components from the shipping cartons.
2. Remove the LOCKING SCREW from the bottom of the base.
3. The BOTTOM of the mast assembly will have a notch.
4. Match the notch at the BOTTOM of the mast assembly with the TABS INSIDE the socket of the base assembly.
5. Insert the mast assembly into the socket and onto the TABS.
6. Turn the mast assembly to make sure that the notch is locked on the TABS of the socket.

NOTE: If the mast DOES NOT turn, the mast is centered and locked in place.

7. Insert the LOCKING SCREW into the bottom of the base and securely tighten.

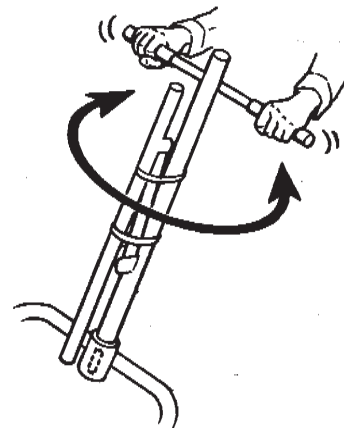
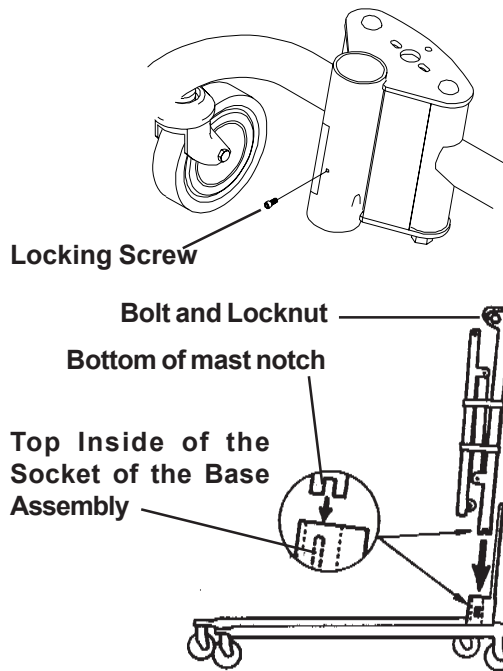


FIGURE 1 - ASSEMBLING THE MAST TO THE BASE

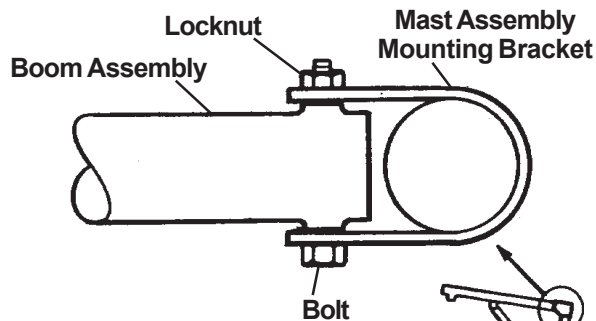
WARNING
 The mast may be removed from the base for storage or transporting. Each time the mast is removed and returned to the socket of the base, the mast **MUST** be locked into the socket of the base assembly.

8. Remove the bolt and locknut from the TOP of the mounting bracket of the mast assembly (FIGURE 1).

ASSEMBLY (Cont.)

9. Align the holes of the boom assembly and mast assembly mounting bracket. Insert the bolt completely through the holes of the mast assembly mounting bracket and the boom assembly (**FIGURE 2**).

NOTE: Be sure that the bolt is completely through the holes of the mast assembly mounting bracket and boom assembly; and they are not riding on the shoulder of the bolt.



Note: Mast Assembly Mounting Bracket, Boom Assembly, Bolt and Locknut MUST all be FLUSH against each other.

FIGURE 2 - MAST ASSEMBLY

CAUTION

The boom and mast when assembled MUST pivot easily.

10. Tighten the bolt and nut using the Allen wrench provided and an adjustable wrench.

NOTE: The nut and bolt can be tightened completely and the boom assembly will pivot easily if the mounting hardware is aligned properly when the boom assembly is secured to the mast. To check for correct alignment of the hardware, use the Allen wrench provided and turn the bolt by hand (it should rotate without a lot of force being applied). If excessive force is necessary, the bolt is NOT aligned properly. Disassemble and repeat assembly procedures until proper alignment is obtained.

11. To check for tightness of nut and bolt (**HYDRAULIC**):
 - a. Raise the boom assembly.

- b. Push the control handle away from the pump assembly.
- c. If the boom assembly pivots easily, then the nut and bolt are NOT too tight.
- d. If the boom assembly does not pivot easily or does not pivot at all, then the nut and bolt are NOT aligned properly.

12. To check for tightness of nut and bolt (**MANUAL [CRANK]**):

- a. Turn the crank to raise the boom assembly.
- b. Turn the crank to lower the boom assembly.
- c. If the boom assembly pivots easily, then the nut and bolt are NOT too tight.
- d. If the boom assembly does not pivot easily, then the nut and bolt are NOT aligned properly.

Base Shifter Handle Assembly (**FIGURE 3**)

1. Insert the base shifter handle into the cam lock assembly at the back of the base.
2. Align the holes of the shifter handle and cam lock assembly.
3. Tighten the thumb screw to secure the shifter handle in place.

NOTE: This should prevent the base shifter handle from being removed.

NOTE: For "C" Base Models 9803/9807/9819 there is no adjustment handle.

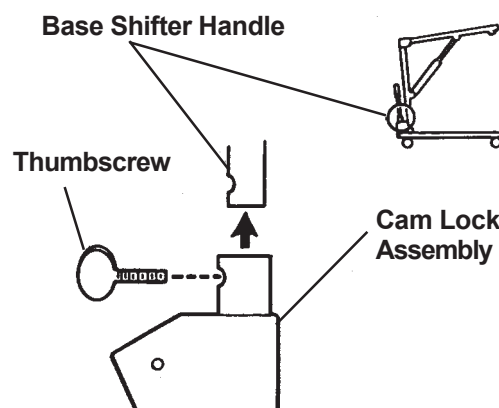


FIGURE 3 - SHIFTER HANDLE INSTALLATION

ASSEMBLY (Cont.)

ASSEMBLY

Swivel Bar Attachment with Eye at End of Boom (FIGURE 4)

1. Attach the swivel bar to the eye at the end of the boom.

NOTE: The swivel bar has hooks on both ends to accept the hardware used to attach the sling that supports the patient during lift.

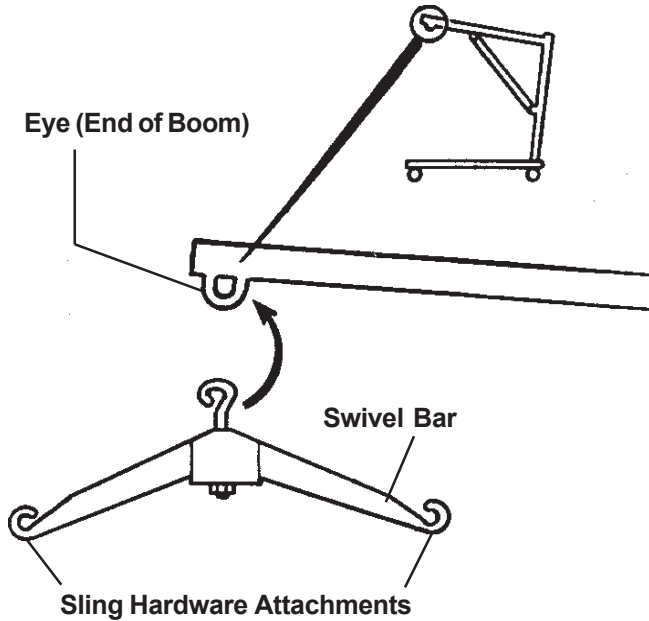
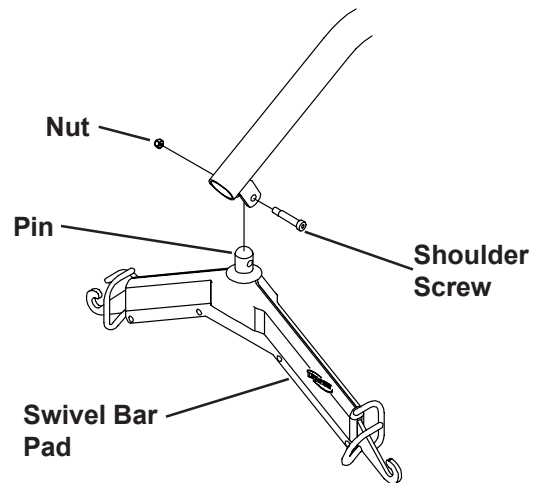


FIGURE 4 - SWIVEL BAR ATTACHMENT WITH EYE AT END OF BOOM

Swivel Bar Attachment with Mounting Bracket (FIGURE 5)

1. Push the pin and washers up through the swivel bar pad.
2. Line-up hole in pin with mounting bracket holes and secure with shoulder screw and nut provided.

NOTE: The swivel bar has hooks on both ends to accept the hardware used to attach the sling that supports the patient during lift. The swivel bar pad should remain in place during normal use.



NOTE: Make sure Pin and Washers are completely pushed UP through the Swivel Bar Pad.

FIGURE 5 - SWIVEL BAR ATTACHMENT WITH MOUNTING BRACKET

ONE - PIECE CONTOUR SLINGS

SLINGS USING CHAINS, O-RINGS AND D-RINGS

***Model No. 9042 - Canvas**

***Model No. 9043 - Canvas w/Commode Opening**

Model No. 9044 - Canvas w/Headrest

Model No. 9045 - Canvas w/ Commode and Headrest

***Model No. 9046 - Nylon Mesh**

***Model No. 9047 - Nylon Mesh w/Commode Opening**

Model No. 9048 - Nylon Mesh w/Headrest

Model No. 9049 - Nylon Mesh w/Commode and Headrest

Invacare slings are designed specifically for use with Invacare Patient Lifts and made to support the patient during lift and transfer procedures. Slings attach to the lift with either straps or chains (interchangeable). The slings are reinforced at all points of attachment for safety. The fabrics used in these slings are of very durable materials that resist deterioration from exposure to moisture and laundering. This design will accommodate patients of heavy or light weight with support from the shoulders to the knees. The contour shape provides comfort during the lift by avoiding the bulk of excess material between the back and seat sections.

Fabric

The fabric has a smooth inner side. The outer side has binding tape around the pocket.

NOTE: Always place the sling under the patient with the smooth side next to the body.

Sling fabrics are offered in a choice of two (2) materials. Canvas fabric is very durable for use and laundering and is preshrunk and dyed a blue color.

NOTE: Laundering should always be done with dark colors.

Open mesh nylon fabric is an exceptional material that provides safety and comfort for the patient. The open mesh weave of the fabric is dyed blue, preshrunk, and durable for use and laundering. It provides considerable traction to resist slipping and sliding during use.

****These models also available in Extra Wide and Petite.***

Body

Slings may be ordered at the time of purchase with a commode opening in the seat section for use over a commode or a commode chair. Slings may also be ordered with a headrest for additional upper body support.

Each sling includes four (4) metal support bars that have a hole at the center to attach the S-hook.

When shipped from the factory, these reinforcing metal support bars are enclosed in the sling pocket with the hole exposed.

CHAIN-FREE ALL FABRIC SLINGS

Model No. 9746 - Hammock and Model No. 9747 - Hammock w/Commode Opening

Slings attach to the lift with color coded straps for easy positioning. Each loop strap is reinforced at the hook-up point for strength and durability.

Fabric

The outer side has a reinforced "grab handle" for assistance in positioning the patient in a wheelchair, commode, etc. The edging is soft yet durable with extra reinforced stitching for safety.

NOTE: Always place the sling under the patient with the handle away from the patient.

NOTE: Laundering should always be done with dark colors. Refer to tagged washing instructions on the sling.

Open mesh polyester fabric is an exceptional material that provides safety and comfort for the patient. The open mesh weave of the fabric is dyed blue or teal, preshrunk, and durable for use and laundering. It provides considerable traction to resist slipping and sliding during use.

Body

Slings may be ordered at the time of purchase with a commode opening in the seat section for use over a commode or a commode chair. Slings are constructed with a high back section and built-in headrest that provides additional support for the head and neck.

ONE - PIECE CONTOUR SLINGS (Cont.)

Positioning the Contour Sling (WITHOUT Headrest) (FIGURE 1)

1. Position the patient in the center of the bed and laying flat on his/her back.
2. Fold the sling in half (length-wise) and place the fabric sections of the sling beside the patient.

NOTE: The sling french seams (uneven surface) will be against the bed surface and facing the attendant when folded. The opposite side of the fabric is smooth. After the sling is positioned for lifting purposes, the smooth side will be next to the patient.

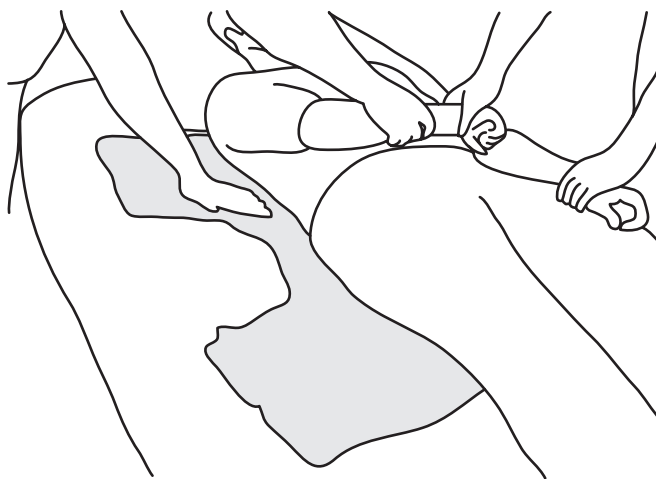
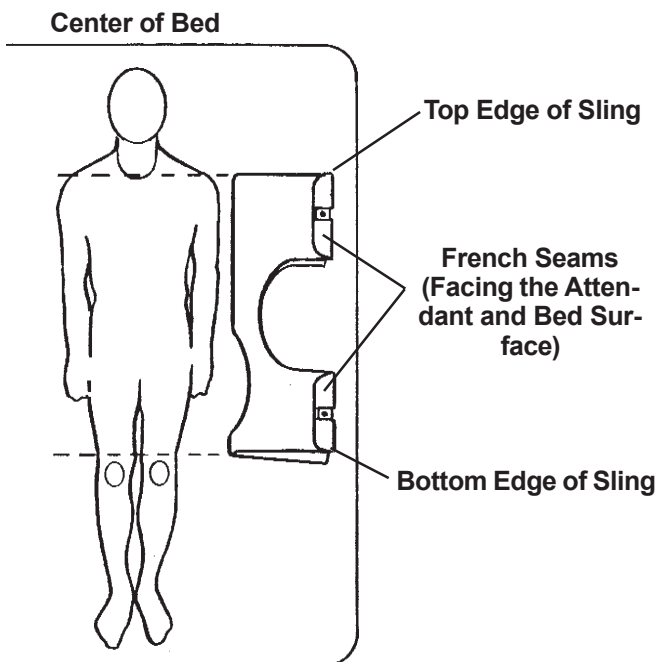


FIGURE 1 - POSITIONING OF THE CONTOUR SLING

3. The top edge of the sling fabric (nearest to the patient's head) should be slightly above the ampmit level of the patient.
4. The bottom edge of the sling fabric should then be a few inches above the back of the patient's knee.
5. With both attendants holding the patient, push the folded sling under the patient without rolling him/her over.

Positioning the Patient on the Sling (WITHOUT Headrest)

NOTE: Use the following method to easily move the patient and avoid strain to yourself.

1. If the patient is to roll to their LEFT-SIDE, then elevate the patient's RIGHT KNEE until the right foot is flat on the bed (FIGURE 2).

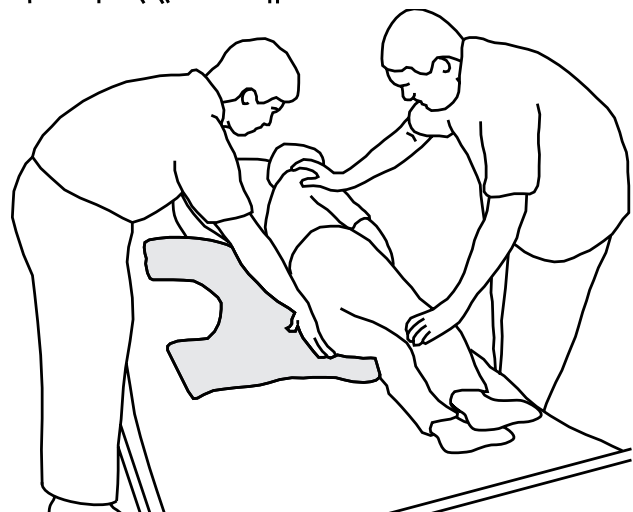
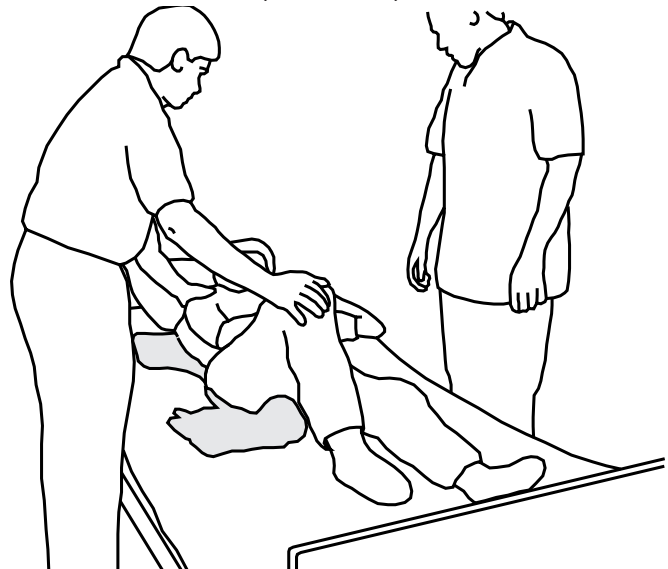


FIGURE 2 - ROLLING PATIENT ONTO HIS/HER SIDE

ONE - PIECE CONTOUR SLINGS (Cont.)

NOTE: Invacare recommends that two (2) attendants (One [1] on each side of the bed) be used when positioning the patient in a sling.

2. With an attendant on each side of the bed and up against the mattress, the attendant on the left-hand side of the bed will position his/her RIGHT-HAND on the elevated KNEE and his/her LEFT-HAND under the patient's RIGHT SHOULDER, slowly push on the knee and assist with a slight lift of the shoulder and the patient will easily roll onto their side (FIGURE 2).
3. With the patient on their side, push the fabrics of the seat and back gently under them (FIGURE 2).

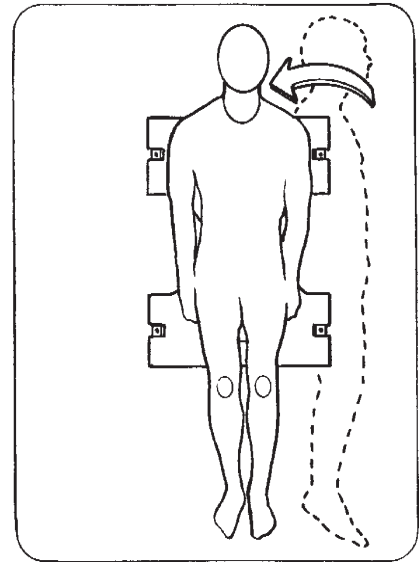
NOTE: The upper edge of the back section should be positioned slightly above the armpit level and the lower edge of the seat section positioned a few inches above the back of the patient's knees (FIGURE 1).

4. Roll the patient on to his/her back (FIGURE 3).

NOTE: Attendants will reverse roles.

5. After the patient has been positioned once again on his/her back, you now need to roll the patient to their RIGHT-SIDE (facing the attendant on the LEFT).
6. With an attendant on each side of the bed and up against the mattress, the attendant on the right-hand side of the bed will elevate the LEFT KNEE and position his/her LEFT-HAND on the elevated KNEE and his/her RIGHT-HAND under the patient's LEFT SHOULDER. The attendant will slowly push on the knee and assist with a slight lift of the shoulder and the patient will easily roll onto their side (FIGURE 3).
7. Pull the fabrics of the seat and back across the mattress until they are smooth (FIGURE 3).
8. Roll the patient onto their back and they should be approximately centered on the sling (FIGURE 3).
9. You are now ready to attach the chains or straps to the sling.

Patient
Centered
in Sling



S
L
I
N
G
S

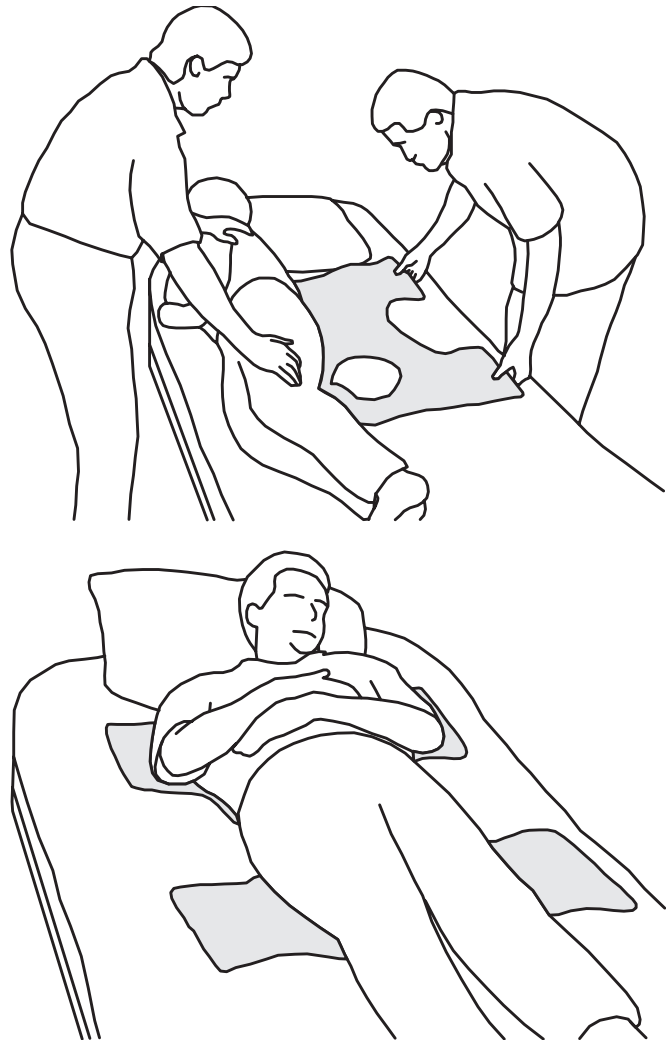


FIGURE 3 - ROLLING PATIENT ONTO HIS/HER OPPOSITE SIDE AND BACK

ONE - PIECE CONTOUR SLINGS (Cont.)

Positioning the Contour Sling (WITH Headrest) (FIGURES 4 and 5)

1. Open the snap buttons on the back of the sling and insert the metal support into the opening on each side. Secure under the fabric with snap buttons (FIGURE 4).

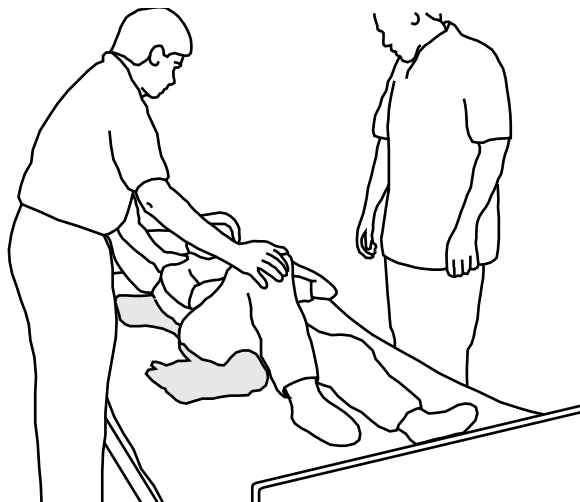
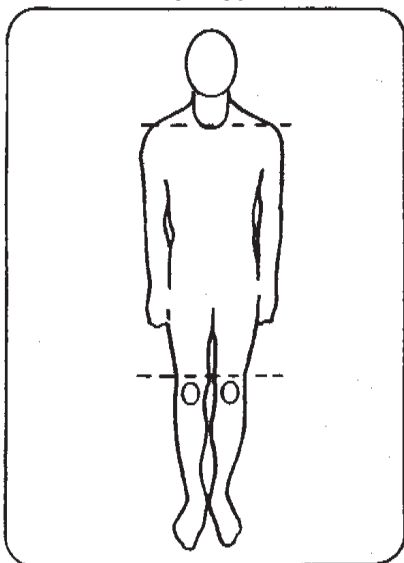
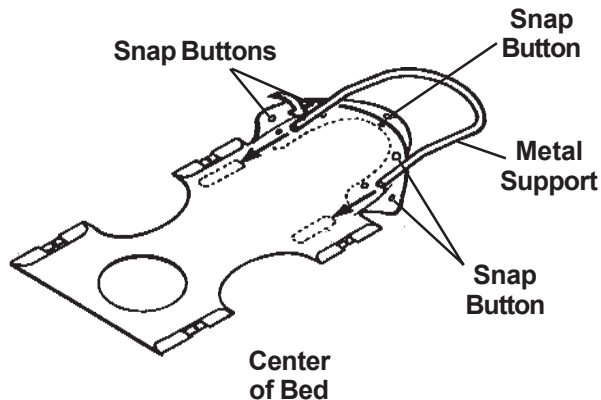


FIGURE 4 - HEADREST SLING AND PATIENT POSITIONING

NOTE: The metal support **MUST** be positioned in the sling angled towards the patient's head for proper support. The metal support can **NOT** be positioned in the sling angled away from the patient's head. This will permit his/her head to fall backwards.

Positioning the Patient on the Sling (WITH Headrest)

NOTE: Invacare recommends that two (2) attendants (One [1] on each side of the bed) be used when positioning the patient in a sling.

NOTE: Use the following method to easily move the patient and avoid strain to yourself.

1. Position the patient in the center of the bed and laying flat on his/her back (FIGURE 4).
2. If the patient is to roll to their LEFT-SIDE, then elevate the patient's RIGHT KNEE until the right foot is flat on the bed (FIGURE 4).
3. With an attendant on each side of the bed and up against the mattress, the attendant on the left-hand side of the bed will position his/her RIGHT-HAND on the elevated KNEE and his/her LEFT-HAND under the patient's RIGHT SHOULDER. The attendant will slowly push on the knee and assist with a slight lift of the shoulder and the patient will easily roll onto their side.
4. Fold the top and bottom french seams of the sling fabric (FIGURE 5).

NOTE: There will be a limit to the folding because of the stiffness of the headrest.

5. With the patient on their side, push the fabrics of the seat and back gently under them (FIGURE 5).

NOTE: The sling french seams (rough surface) will be towards the bed surface and facing the attendant. The opposite side of the fabric is smooth. After the sling is positioned for lifting purposes, the smooth side will be next to the patient.

NOTE: The patient's head should be positioned in the headrest just below the metal support for maximum comfort.

NOTE: The upper edge of the back section should be positioned at the armpit level and the lower edge of the seat section positioned a few inches above the back of the patient's knees.

ONE - PIECE CONTOUR SLINGS (Cont.)

6. Roll the patient on to his/her back.

NOTE: Attendants will reverse roles.

7. After the patient has been positioned once again on his/her back, you now need to roll the patient to their RIGHT-SIDE (facing the attendant on the LEFT).

8. With an attendant on each side of the bed and up against the mattress, the attendant on the right-hand side of the bed will elevate the LEFT KNEE and position his/her LEFT-HAND on the elevated KNEE and his/her RIGHT-HAND under the patient's LEFT SHOULDER. The attendant will slowly push on the knee and assist with a slight lift of the shoulder and the patient will easily roll onto their side.

9. Pull the fabrics of the seat and back across the mattress until they are smooth.

10. Roll the patient onto their back and they should be approximately centered on the sling.

11. You are now ready to attach the chains or straps to the sling.

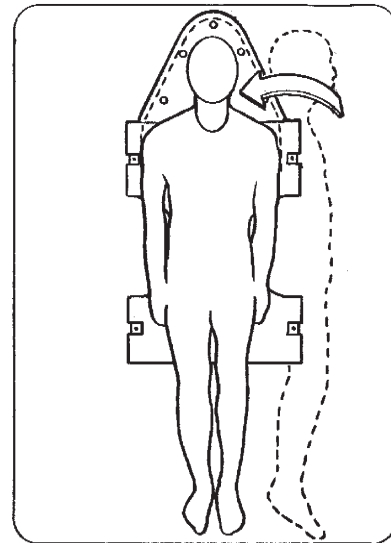
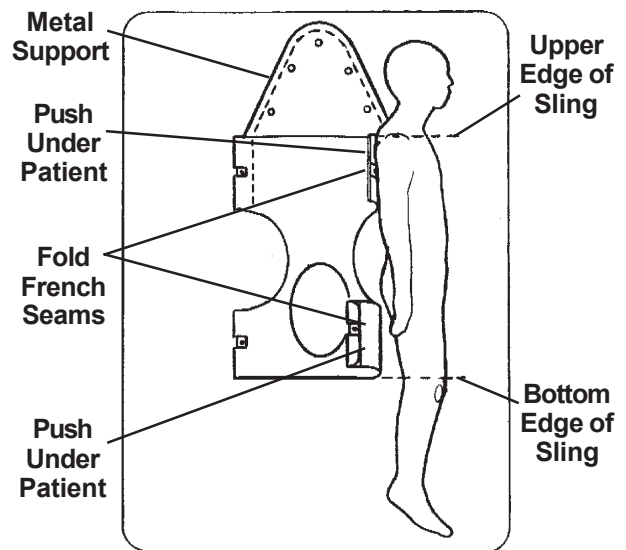


FIGURE 5 - ROLLING PATIENT ONTO HIS/HER OPPOSITE SIDE AND BACK

WRAP-AROUND / UNIVERSAL DELUXE SLINGS

THE MODEL NO. 9040 WRAP-AROUND / MODEL NO. 9742 UNIVERSAL DELUXE SLINGS (FIGURES 6A and 6B)

NOTE: Headrests are not available on Model Nos. 9040 and 9742 Slings.

NOTE: Invacare recommends that two (2) attendants (One [1] in front and one [1] in back of the wheelchair) be used when positioning the patient in the sling.

NOTE: Use the following method to easily move the patient and avoid strain to yourself.

WARNING

If the patient is in a wheelchair, secure the wheel locks in place to prevent the chair from moving forward or backwards.

1. With the patient sitting in a chair one (1) attendant in the front and the other attendant in the back, lean the patient forward.

NOTE: The front attendant will be supporting the weight of the patient.

2. Place the sling behind the patient and bring the flaps out alongside the patient's legs.

NOTE: The back of the sling (mounting area) should be parallel to the patient's upper arms and be positioned between the top of the patient's back and the top of the chair back.

3. With the back of the sling positioned properly, push the edges of the commode opening under the patient's buttocks.
4. Lean the patient back into the chair with the attendant in the rear supporting his/her weight.
5. Lift the patient's legs (one at a time) while holding the leg panel of the sling, reach under the patient's leg and pull until the leg panel of the sling is behind the patient's knees (about three [3] inches) and the back of the sling remains in position.
6. **Model No. 9040:**
Wrap the leg panel and snap hook around the leg and snap onto the D-hook. Repeat this step for other leg.
7. **Model No. 9742:**
The straps may be crossed BETWEEN or UNDERNEATH the patient's legs.

8. Attach the sling to the swivel bar. Refer to **Attaching the Slings to the Patient Lift in LIFTING THE PATIENT** Section of this manual.

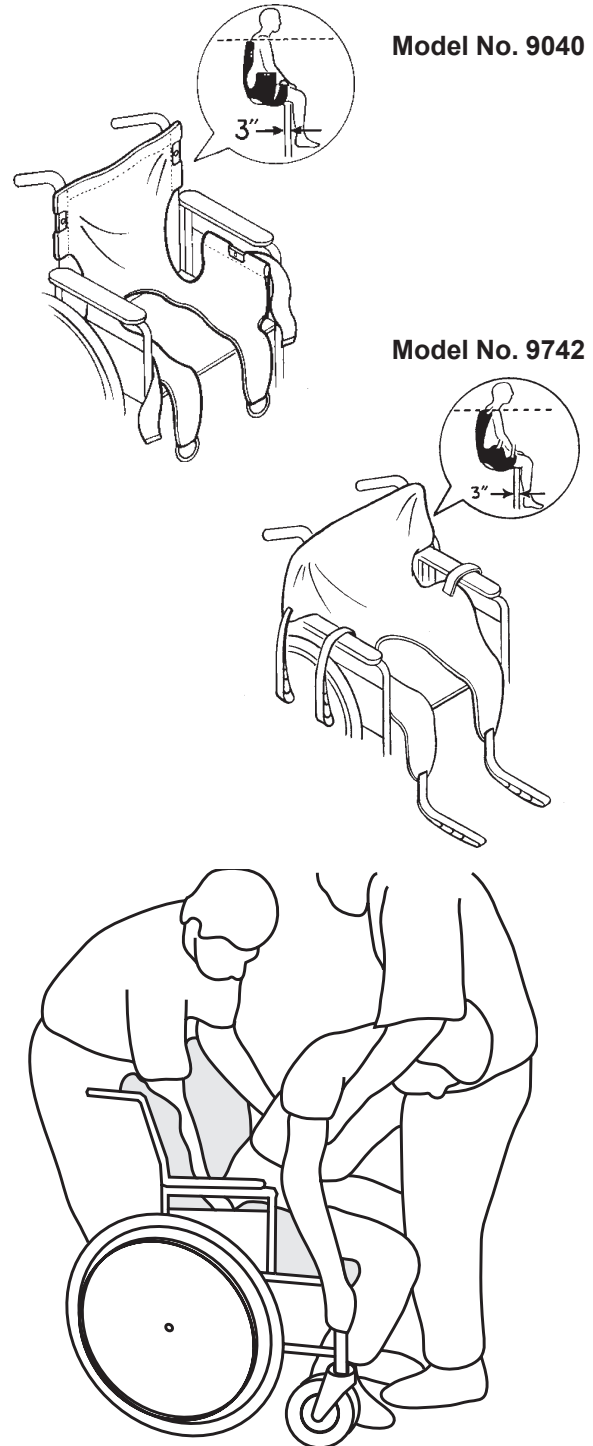
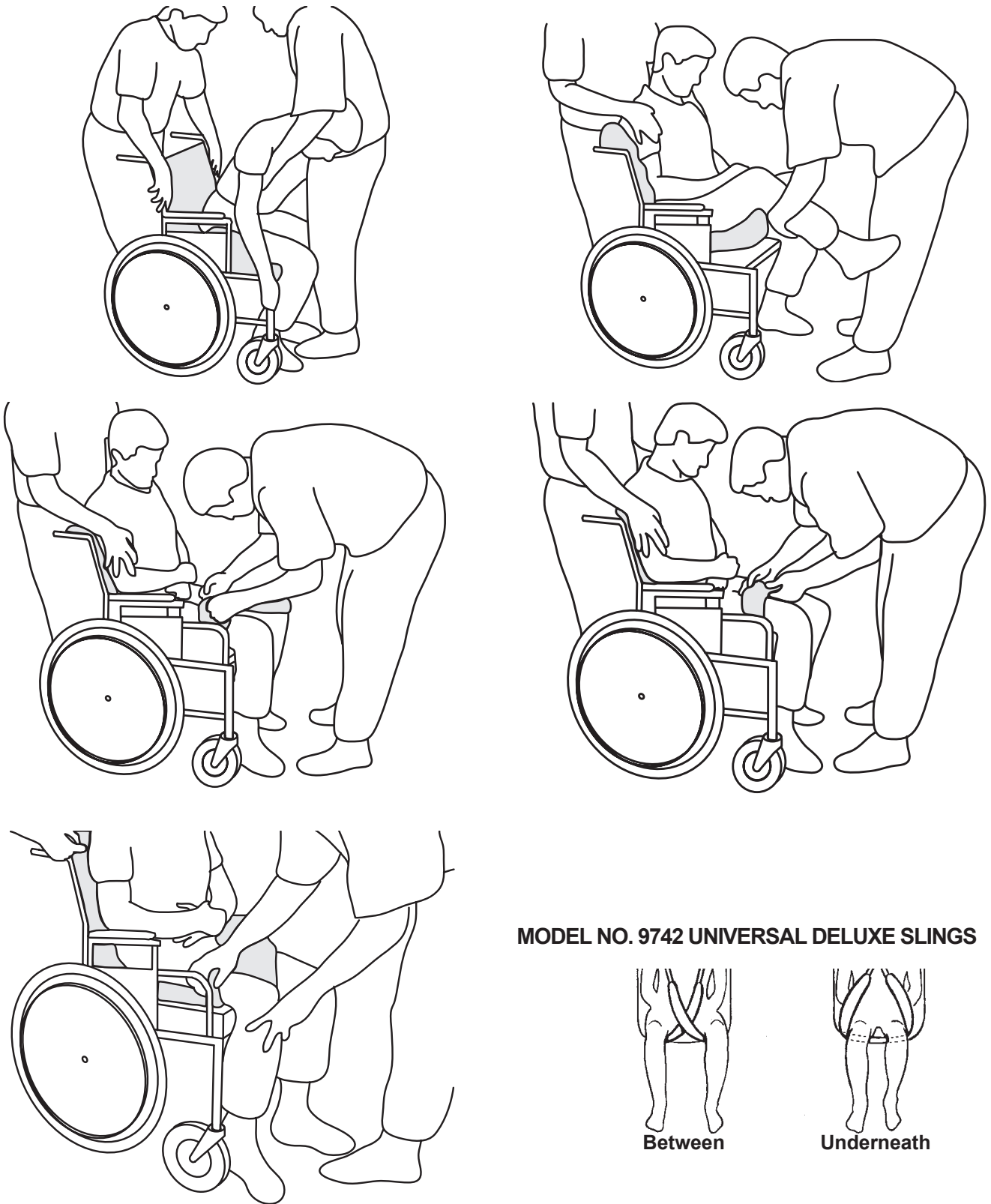


FIGURE 6A - POSITIONING THE PATIENT IN THE MODEL NO. 9040 - WRAP-AROUND / MODEL NO. 9742 UNIVERSAL DELUXE SLINGS

WRAP-AROUND / UNIVERSAL DELUXE SLINGS (Cont.)



MODEL NO. 9742 UNIVERSAL DELUXE SLINGS

FIGURE 6B - POSITIONING THE PATIENT IN THE MODEL 9040 - WRAP-AROUND / MODEL NO. 9742 UNIVERSAL DELUXE SLINGS

ATTACHING THE SLING HARDWARE

ATTACHING THE SLING HARDWARE

Model No. 9070 - Strap Kit

Model No. 9071 - Chain Kit

The hardware used with the one-piece contour sling includes four (4) metal support bars. The hardware inserts into the pockets at the edge of the fabric. The pocket that will hold the metal bar has an opening in the center. The pocket is sewn closed on one end and has an open-end with a strap on the other.

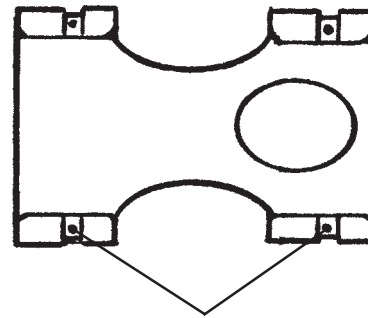
NOTE: When the slings are laundered, remove the four (4) metal support bars. They **MUST** be replaced or the sling can not be used for lifting purposes.

Inserting the Four (4) Metal Support Bars into the Sling (FIGURES 1A and 1B)

NOTE: When inserting each metal bar into the sling pocket, align the metal support bar in the center of the strap (after it has been pulled down) and push the metal support bar into the sling pocket. The sling is sewn on both sides so the center location is critical.

1. To insert the metal support bar, pull the strap down allowing the bar to pass through the opening in the sling pocket.
2. Push the metal support bar through until the mounting hole clears the center opening of the sling pocket.
3. Once the opposite end of the bar is inside the sewn pocket, push the strap over the metal support bar to prevent it from falling out.

NOTE: The hole in the metal bar should be in the center of the pocket opening. This is where the S-hook of the chain or strap will be attached.



Metal Support Bars with Openings for Chains or Straps

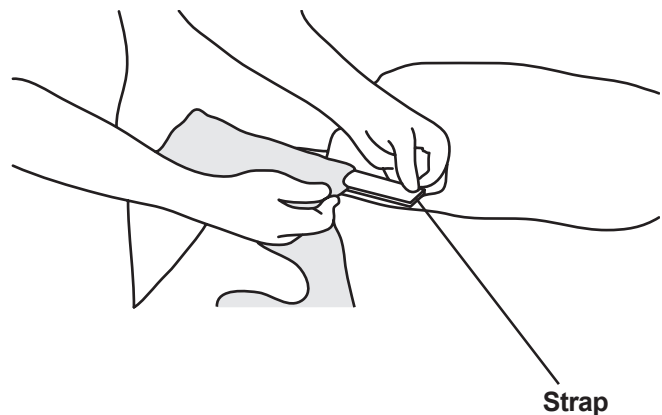
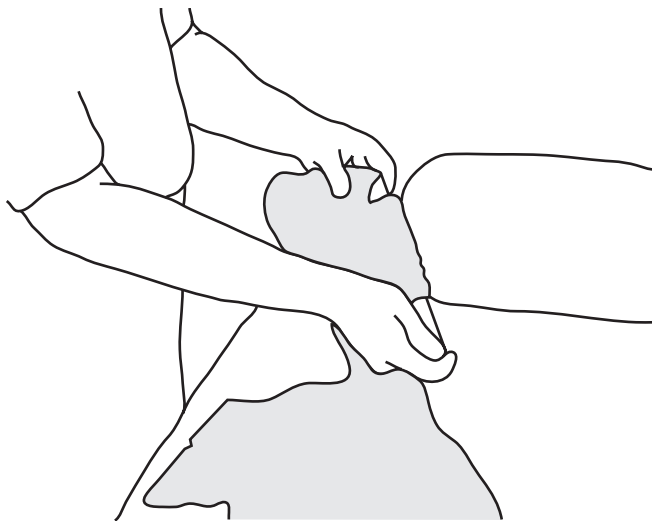


FIGURE 1A - INSERTING THE FOUR (4) METAL SUPPORT BARS IN THE SLING

ATTACHING THE SLING HARDWARE (Cont.)

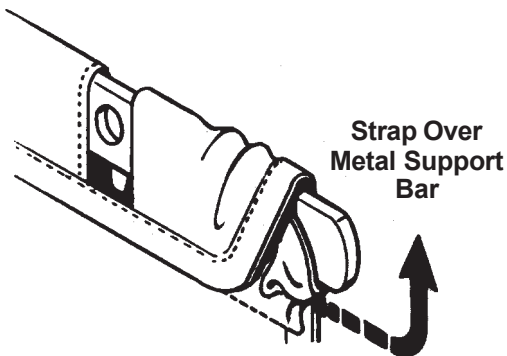
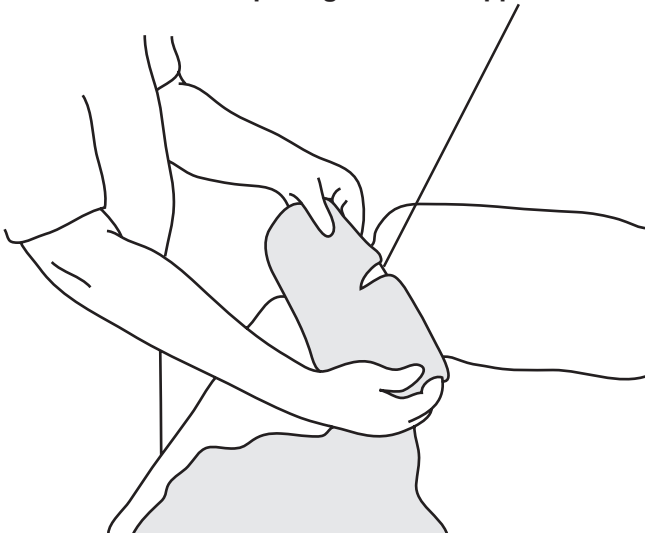
Attaching the Chains or Adjustable Straps to the Sling (FIGURES 2A and 2B)



CAUTION
When using either the chains or straps to connect the sling to the patient lift, the shortest of the two (2) sections of the chains or straps **MUST** be attached to the back section of the sling. Using the long section will leave little or no support for the patient's back.

1. With the patient laying on his/her back and positioned properly in the sling, lay the chains or straps on the bed next to the sling.
2. The short section of chain or strap will be placed parallel to the patient's back. This will position the longer section of chain or strap from the waist to the mid section of the thigh.
3. The S-hooks on the ends of the chains or straps are inserted into the metal support bar of the sling.

Opening in Metal Support Bar



Strap Over Metal Support Bar

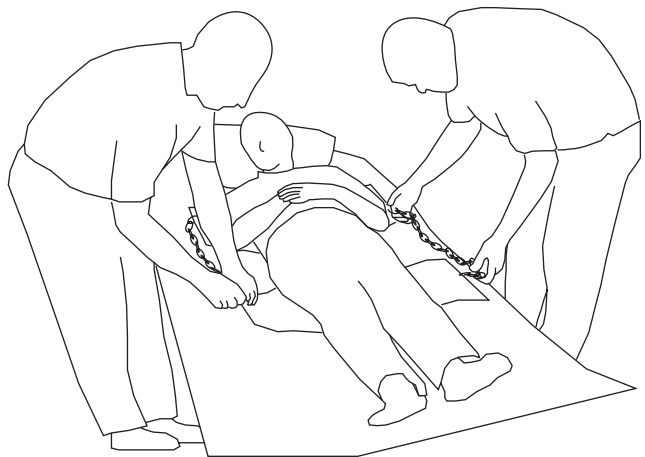


FIGURE 2A - ATTACHING THE CHAINS OR STRAPS TO THE SLING

FIGURE 1B - INSERTING THE FOUR (4) METAL SUPPORT BARS IN THE SLING

ATTACHING THE SLING HARDWARE (Cont.)

ATTACHING SLING

4. The S-hook MUST be inserted through the hole in the support bar with the open end facing away from the patient (FIGURE 2).
5. The O-ring of the chain assembly is the suggested location to attach to the swivel bar, however, by changing to different links, you can reposition the patient into a reclining or more upright position.

WARNING
 When changing to different lengths, DO NOT disconnect the O-rings of the chains from the swivel bar. Position BOTH the O-rings and additional chain link onto the hooks of the swivel bar.

6. The straps can be simply adjusted to achieve the same effect.
7. With the sling positioned under the patient, and the metal support bars in place, you are now ready to move the lift into position to attach the sling hardware to the swivel bar.

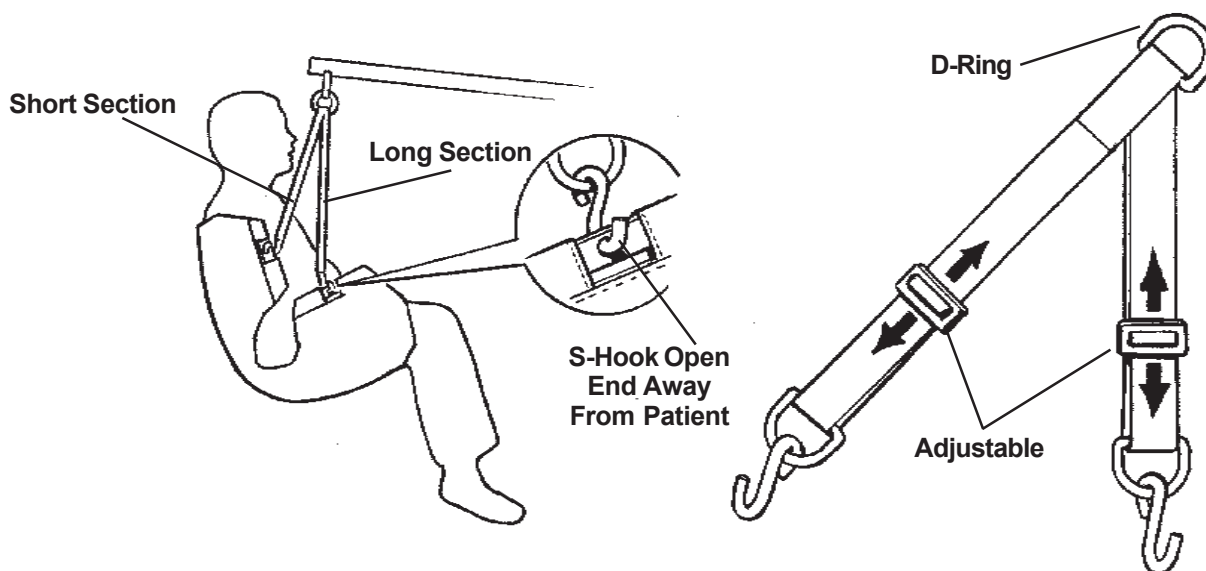
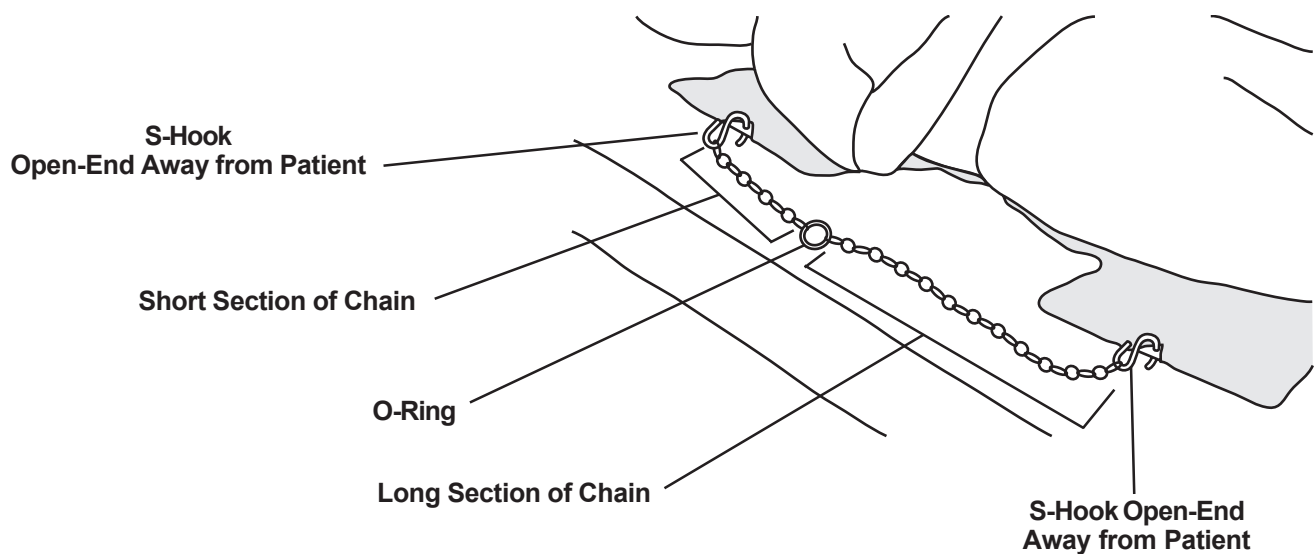


FIGURE 2B - ATTACHING THE CHAINS OR STRAPS TO THE SLING

ATTACHING THE CHAIN-FREE ALL FABRIC SLINGS

ATTACHING THE CHAIN-FREE ALL FABRIC SLINGS TO THE PATIENT LIFT (FIGURE 1)

NOTE: Refer to PATIENT LIFT SAFETY SUMMARY in the front of this manual before proceeding further and observe all WARNINGS indicated.

WARNING

Before lifting or transferring the patient, the base legs **MUST** be LOCKED in the OPEN position for optimum stability and safety.

NOTE: Before positioning the legs of the patient lift under the bed, make sure that the area is clear of any obstructions.

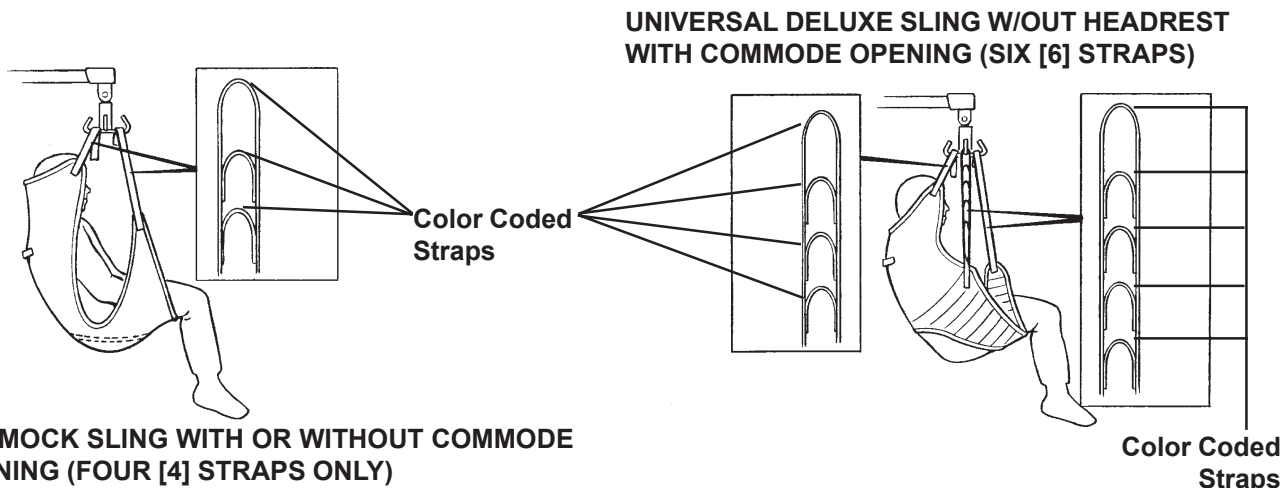
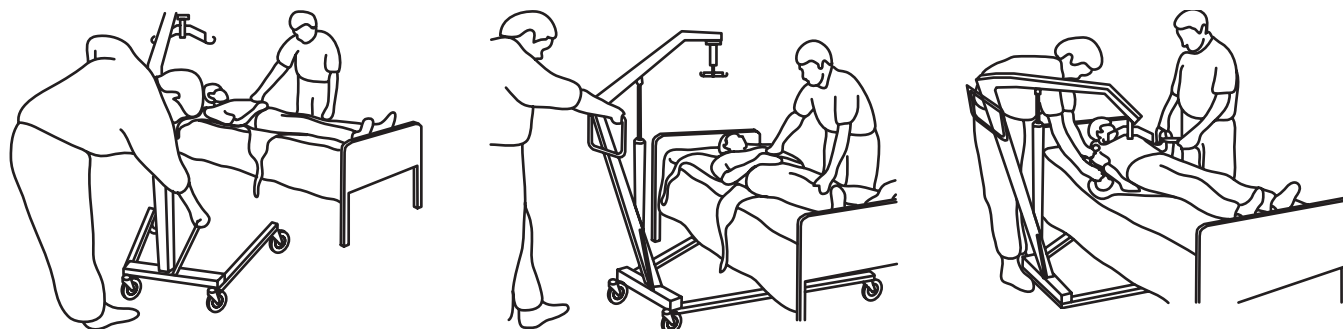
1. With the legs of the base OPEN and LOCKED, use the steering handle to push the patient lift underneath the bed.
2. Lower the patient lift for easy attachment of the sling.

CAUTION

When connecting the sling to the patient lift, the shortest of the straps **MUST** be at the back of the patient for support. Using the long section will leave little or no support for the patient's back. The loops of the sling are color coded and can be used to place the patient in various positions. The colors make it easy to connect both sides of the sling equally. Make sure that there is sufficient head support when lifting a patient.

3. Place the straps of the sling over the hooks of the swivel bar. Match the corresponding colors on each side of the sling for an even lift of the patient (FIGURE 1).

NOTE: Model No. 9746 - Hammock and Model No. 9747 - Hammock w/Commode have four (4) sling straps while Model No. 9742 - Universal Deluxe Sling has six (6) sling straps.



HAMMOCK SLING WITH OR WITHOUT COMMODE OPENING (FOUR [4] STRAPS ONLY)

FIGURE 1 - ATTACHING THE CHAIN-FREE ALL FABRIC SLINGS TO THE PATIENT LIFT

OPERATION

OPERATING THE PATIENT LIFT (FIGURES 1A and 1B)

To Open the Legs of the Adjustable Base

WARNING

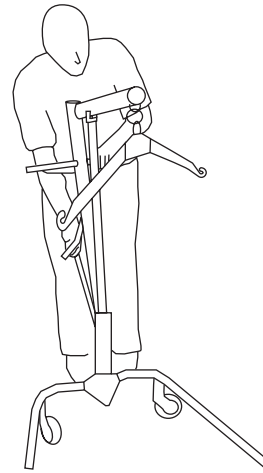
The operation of the patient lift is an easy and safe procedure. **DO NOT** attempt any transfer without approval of the patient's physician, nurse or medical attendant. Thoroughly read the instructions in this Owner's Manual, observe a trained team of experts performing the lifting procedures and then perform the entire lift procedure several times with proper supervision and a capable individual acting as a patient.

ONLY operate this lift with the legs in maximum open position and locked in place. The base legs **MUST** be locked in the open position at all times for stability and patient safety when lifting and transferring a patient.

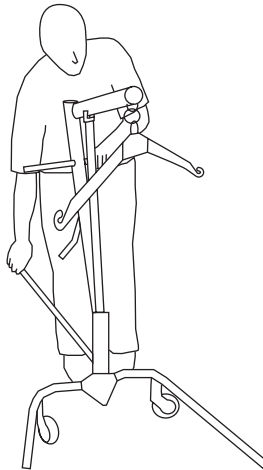
The Shifter handle is used to open the legs of the base for stability when lifting a patient.

1. Grasp the shifter handle in one-hand and place the opposite hand on the steering handle of the mast for balance.
2. Push the shifter handle to your **RIGHT** to release the lock pin from its mounting hole.
3. Turn the handle **CLOCKWISE** until you are able to secure the lock pin into the opposite mounting hole to fully open the legs of the base.

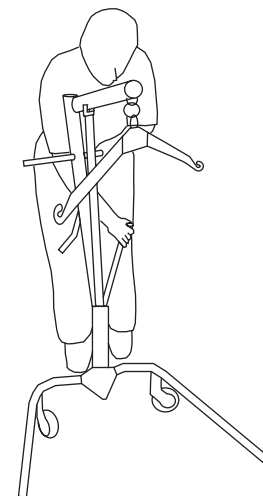
NOTE: The lock pin **MUST** insert into its mounting hole in the socket assembly to lock the legs in the full open position. The shifter handle will be in the vertical position; parallel with the mast assembly.



STEP 1



STEP 2



STEP 3

FIGURE 1A - TO OPEN THE LEGS OF THE ADJUSTABLE BASE

OPERATION (Cont.)

WARNING

If the shifter handle is NOT vertical, the lock pin is NOT seated in the socket assembly. DO NOT use the patient lift until lock pin is properly seated and LOCKED in place or injury and/or damage may occur.

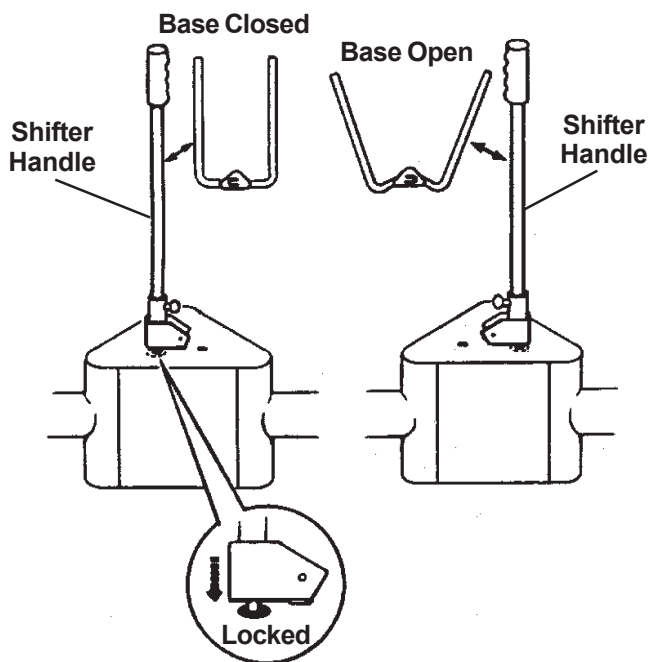


FIGURE 1B - TO OPEN THE LEGS OF THE ADJUSTABLE BASE

Raising/Lowering Model Nos. 9801, 9802, 9803, 9805, 9805P, 9806 and 9807 Hydraulic Lifts (FIGURE 2)

WARNING

Invacare does NOT recommend locking of the rear casters of the patient lift when lifting an individual. Doing so could cause the lift to tip and endanger the patient and attendants. Invacare DOES recommend that the rear casters be left unlocked during lifting procedures to allow the patient lift to stabilize itself when the patient is initially lifting from a chair, bed or any stationary object.

There are two (2) controls on the pump assembly:

1. The control valve
2. The pump handle

RAISING THE LIFT. The control valve MUST be in the CLOSED position (control valve positioned towards pump handle) to move the pump handle up and down to elevate the boom and the patient.

LOWERING THE LIFT. The control handle MUST be in the OPEN position (control valve positioned away from pump handle) to lower the boom and the patient. The rate of descent can be controlled by varying the amount that the control valve is opened.

NOTE: A safety gate is part of the hydraulic system that maintains a SLOW constant descent of the boom regardless of how far the control valve is opened.

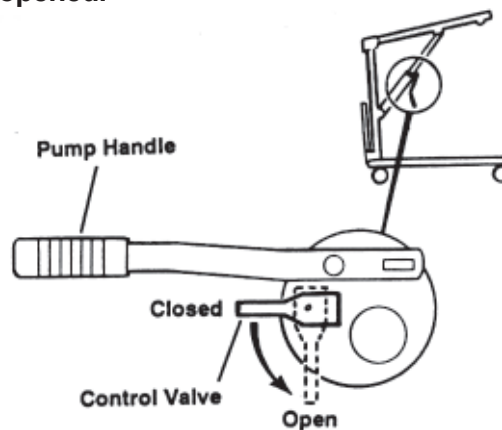


FIGURE 2 - RAISING/LOWERING THE HYDRAULIC PATIENT LIFT

Raising/Lowering Model No. 9817, 9818 and 9819 - Manual (Crank) Lift (FIGURE 3)

RAISING THE LIFT. Turn the crank at the top of the mast clockwise, the boom will elevate.

NOTE: The handle will rotate backwards 1/4-turn and lock in place. This safety feature prevents the lift from dropping or drifting downward once the desired height has been achieved.

LOWERING THE LIFT. To lower the boom, turn the crank counterclockwise.

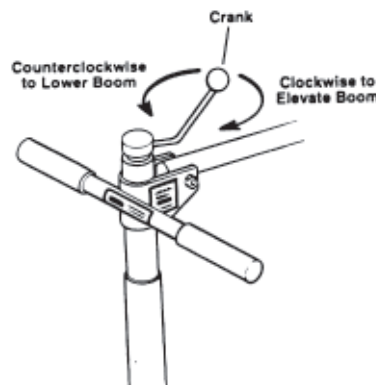


FIGURE 3 - RAISING/LOWERING THE CRANK LIFT

LIFTING THE PATIENT

LIFTING PATIENT

LIFTING THE PATIENT

NOTE: Refer to PATIENT LIFT SAFETY SUMMARY in the front of this manual before proceeding further and observe all WARNINGS indicated.

WARNING
Before lifting or transferring the patient, the base legs **MUST** be locked in the open position for optimum stability and safety.

1. Using the steering handle, push the patient lift underneath the bed.
2. Lower the patient lift for easy attachment of the sling hardware or straps.
3. **Chains, O-Rings and D-Rings:**
After the chains, O-Rings or D-Rings are attached and the S-hooks are secured in both sides of the sling sections (open end facing outward), place the D-rings of the strap assembly or the O-ring and chain link of the chain assembly over the chain hooks of the swivel bar (**FIGURE 1**).
4. **Chain-Free All Fabric Slings:**
Attach the color-coded straps to the strap hooks of the swivel bar (**FIGURE 1**).

WARNING
ONLY attach **STRAPS** of the Chain-Free All Fabric Slings to the **STRAP HOOKS** of the Swivel Bar. **ONLY** attach **CHAINS, O-RINGS** or **D-RINGS** to **CHAIN HOOKS** of the Swivel Bar. **DO NOT** change or intermix attachment points or serious injury may occur.

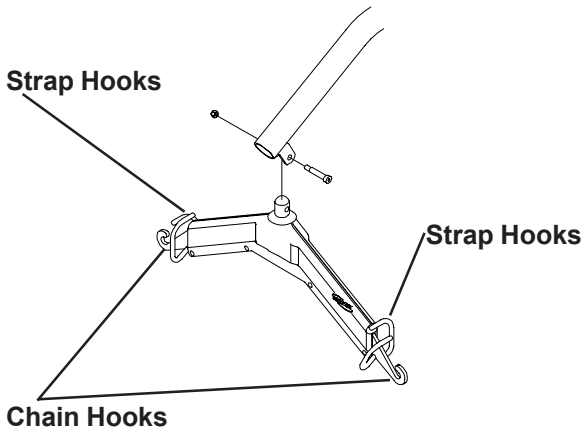


FIGURE 1 - ATTACHING THE SLING TO THE SWIVEL BAR

5. Pump the lift handle or turn the handle clockwise (clicking sound is normal) to raise the patient above the bed. The patient should be elevated high enough to clear the bed and their weight supported by the lift.

NOTE: The manual (crank) lift handle will automatically turn back one (1) quarter turn to lock in place.

NOTE: On a hydraulic lift, the boom will stay in position until the control valve is opened.

6. When the patient is lifted from the bed (with the patient's head supported), he/she will be raised to a sitting position (**FIGURE 2**).

NOTE: A headrest sling may be used for support for the patient's head during elevation and transfer.

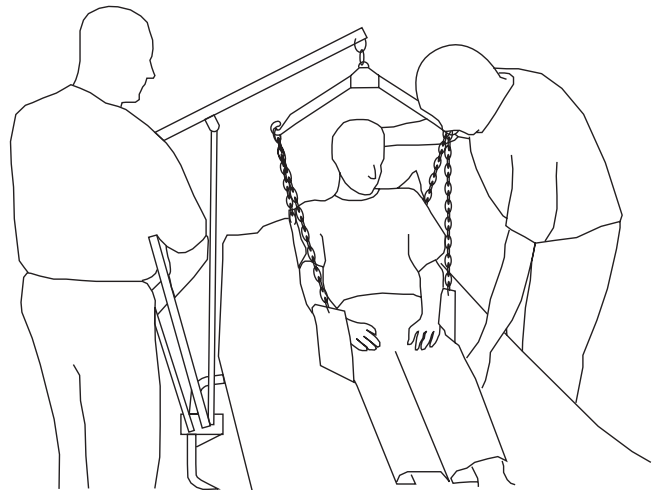


FIGURE 2 - LIFTING THE PATIENT OFF THE BED

LIFTING THE PATIENT (Cont.)

WARNING

When elevated a few inches off the surface of the bed and before moving the patient, check again to make sure that all hardware is properly connected. Check each S-hook to make sure it is completely attached to the metal support bars of the sling. Check the attachment of the straps, O or D-rings to the swivel bar hooks. If any attachments are NOT properly in place, lower the patient back onto the bed and correct this problem.

Adjustments for safety and comfort should be made before moving the patient. Patient's arms should be inside of the chains or straps.

Invacare slings and hardware are made specifically for use with Invacare Patient Lifts. For the safety of the patient, DO NOT intermix slings and patient lifts of different manufacturers. Warranty will be voided.

7. When patient is clear of the bed surface, swing their feet off the bed (**FIGURE 3**).
8. Using the steering handles, move the patient lift away from the bed.

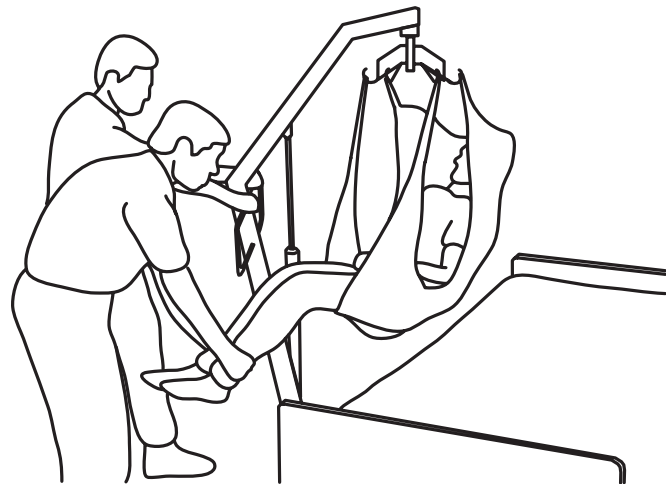
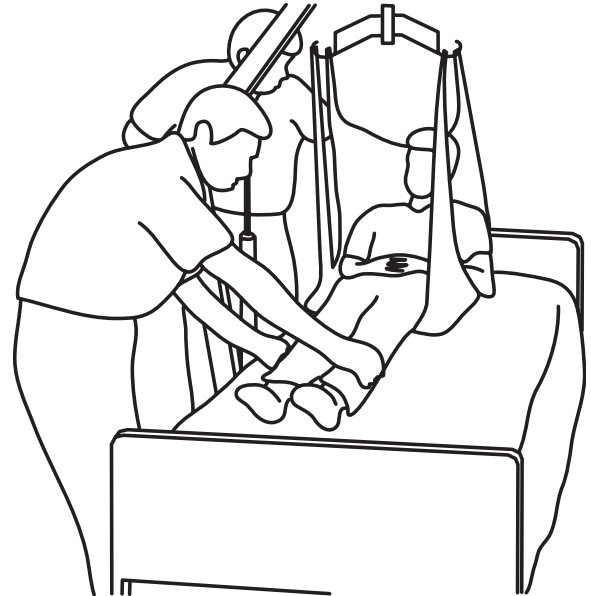


FIGURE 3 - MOVING THE PATIENT OFF THE BED

LIFTING THE PATIENT (Cont.)

9. When moving the patient lift away from the bed, turn patient so that he/she faces attendant operating the patient lift (**FIGURE 4**).
10. Turn crank handle counterclockwise (manual) or open control valve (hydraulic) lowering patient so that his feet rest on or over the base of the lift, straddling the mast. Close control valve.

NOTE: The lower center of gravity provides stability making the patient feel more secure and the lift easier to pull or push.

11. Pull the patient lift away from the bed and push from behind with both hands.

NOTE: DO NOT use the rear locking casters when patient is in the lift.

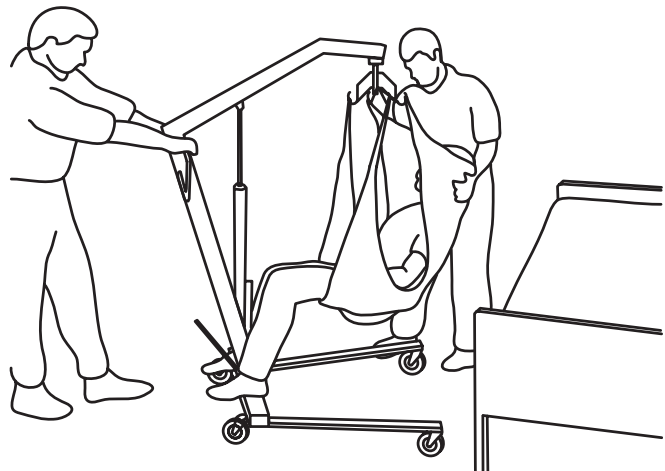
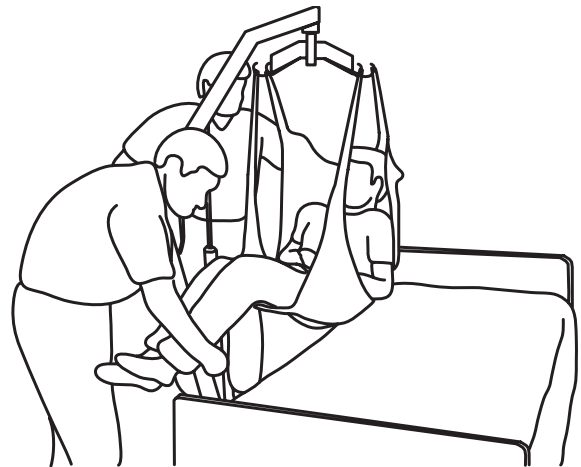


FIGURE 4 - MOVING THE PATIENT LIFT AWAY FROM THE BED

TRANSPORTING PATIENT FOR USE OF BATHROOM FACILITIES

TRANSPORTING PATIENT FOR USE OF COMMODE CHAIR OR STANDARD COMMODE (FIGURE 5)

Transferring to a Commode Chair

The slings with commode openings are designed to be used with either a commode chair or standard commode.

NOTE: Invacare recommends that the sling remain connected to the swivel bar during the patient's use of either the commode chair or standard commode.

WARNING

When elevated a few inches off the surface of the commode chair or standard commode and before moving the patient, check again to make sure that all hardware or straps are properly connected. Check each S-hook to make sure it is completely attached to the metal bars of the sling. Check the attachment of the straps, O or D-rings to the swivel bar hooks. If any attachments are NOT properly in place, lower the patient back onto the commode chair or standard commode to correct this problem.

Adjustments for safety and comfort should be made before moving the patient. Patient's arms should be inside of the chains or straps.

Invacare slings and Hardware are made specifically for use with Invacare Patient Lifts. For the safety of the patient, DO NOT intermix slings and patient lifts of different manufacturers. Warranty will be voided.

Invacare does NOT recommend locking of the rear casters of the patient lift when lifting an individual. Doing so could cause the lift to tip and endanger the patient and assistants. Invacare DOES recommend that the rear casters be left UNLOCKED during lifting procedures to allow the patient lift to stabilize itself when the patient is initially lifted from a chair, bed or any stationary object.

1. The patient should be elevated high enough to clear the commode chair and their weight supported by the lift.
2. With the help of both attendants, guide the patient onto the commode chair.
3. Lower the patient onto the commode chair leaving the sling attached to the swivel bar.

4. When complete, recheck for correct attachment and then raise the patient off of the commode chair.
5. When patient is clear of the commode surface (using the steering handles), move the lift away from the commode chair.
6. To return patient to bed, reverse procedures concerning lifting the patient, operation and sling attachment.
7. To return or place patient in a wheelchair, refer to TRANSFERRING TO A WHEELCHAIR in this manual.

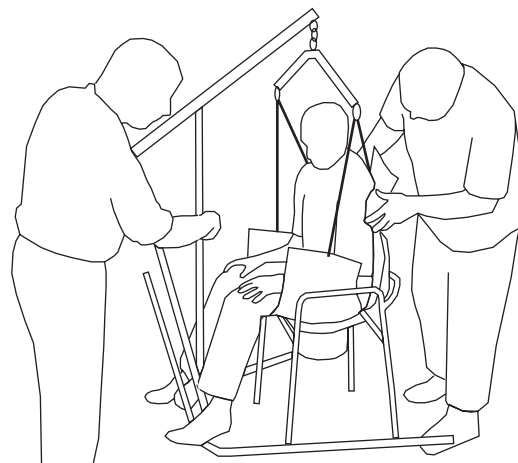
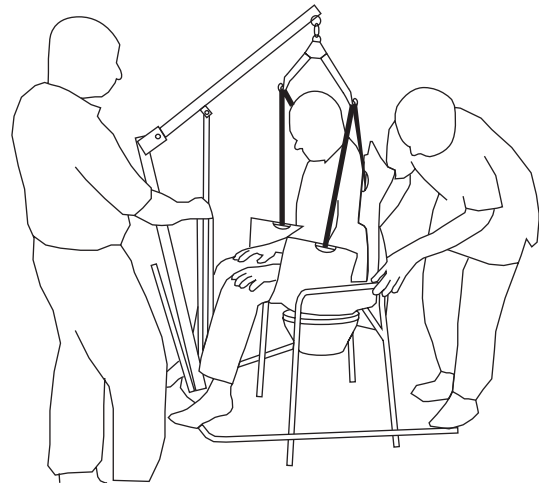


FIGURE 5 - TRANSPORTING TO A COMMODE CHAIR OR STANDARD COMMODE

TRANSFERRING PATIENT FOR USE OF BATHROOM FACILITIES

Transferring to a Standard Commode

NOTE: The patient **MUST** be transferred to a **WHEELCHAIR** and transported to the bathroom facilities before using the patient lift again to position the patient on a standard commode. Refer to **TRANSFERRING TO A WHEELCHAIR** in this manual. After this has been accomplished refer to the following:

1. To lift the patient from the bed, follow the procedures concerning lifting the patient, operation and sling attachment.
2. The patient should be elevated high enough to clear the standard commode and their weight supported by the patient lift.
3. With the help of both assistants, guide the patient onto the standard commode.
4. Lower the patient onto the standard commode leaving the sling attached to the swivel bar hooks.
5. When complete, recheck for correct attachment and then raise the patient off of the standard commode.
6. When patient is clear of the standard commode surface (using the steering handles), move the lift away from the standard commode.
7. To return or place a patient in a wheelchair, refer to **TRANSFERRING TO A WHEELCHAIR in this manual**.
8. To return patient to bed, reverse procedures concerning lifting the patient, operation and sling attachment.

BATHING

WARNING

When elevated a few inches off the surface of the bed and before moving the patient, check again to make sure that all hardware or straps are properly connected. Check each S-hook to make sure it is completely attached to the metal support bars of the sling. Check the attachment of the straps, O or D-rings to the swivel bar hooks. If any attachments are **NOT** properly in place, lower the patient completely to correct this problem.

Adjustments for safety and comfort should be made before moving the patient. Patient's arms should be inside of the chains or straps.

Invacare slings and Hardware are made specifically for use with Invacare Patient Lifts. For the safety of the patient, DO NOT intermix slings and patient lifts of different manufacturers. Warranty will be voided.

NOTE: There are many portable bathing apparatuses; this is an example of one. Refer to your particular portable bath instructions and use them in conjunction with this Owner's Manual.

1. To remove the patient from the bed, observe procedures concerning sling attachment, operation and lifting the patient.
2. The patient should be elevated high enough to clear the bed and be able to slide the portable bath tub under the patient.
3. Lower the patient into the portable bath tub.
4. Detach chains/straps from sling and reattach to the portable bath tub.
5. Using the lift, raise the sides of the portable bath tub.
6. Bath patient.
7. Reverse procedures to return patient to bed.

TRANSFERRING TO A WHEELCHAIR

TRANSFERRING TO A WHEELCHAIR (FIGURE 6)

NOTE: Invacare recommends that two (2) attendants be used when transferring a patient to a wheelchair.

WARNING

When elevated a few inches off the seating surface of the wheelchair and before moving the patient, check again to make sure that all hardware and straps are properly connected. Check each S-hook to make sure it is completely attached to the metal support bars of the sling. Check the attachment of the straps, O or D-rings to the swivel bar hooks. If any attachments are NOT properly in place, lower the patient completely to correct this problem.

Adjustments for safety and comfort should be made before moving the patient. Patient's arms should be inside of the chains or straps.

Invacare slings and Hardware are made specifically for use with Invacare Patient Lifts. For the safety of the patient, DO NOT intermix slings and patient lifts of different manufacturers. Warranty will be voided.

Invacare does NOT recommend locking of the rear casters of the patient lift when lifting an individual. Doing so could cause the lift to tip and endanger the patient and assistants. Invacare DOES recommend that the rear casters be left UNLOCKED during lifting procedures to allow the patient lift to stabilize itself when the patient is initially lifted from a chair, bed or any stationary object.

1. The legs of the lift (w/patient) are in the opened position.
2. The wheelchair is moved into position.

WARNING

Wheelchair wheel locks MUST be in a locked position before lowering the patient into the wheelchair for transport.

3. The rear wheel locks are locked to further prevent movement of the chair.
4. The patient is positioned over the seat with their back against the back of the chair.
5. Begin to lower the patient either by opening the control valve or by turning the crank counterclockwise.
6. With one (1) attendant behind the chair and the other operating the patient lift, the attendant behind the chair will pull back on the handle or sides of the sling to

place the patient into the back of the chair. This will maintain a good center of balance and prevent the chair from tipping forward.

7. The sling is disconnected from the patient lift.
8. To return to the bed, reverse procedures concerning lifting the patient, operation and sling attachments.

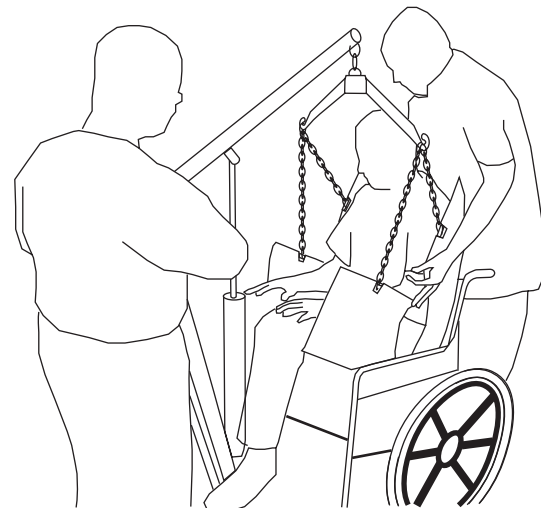
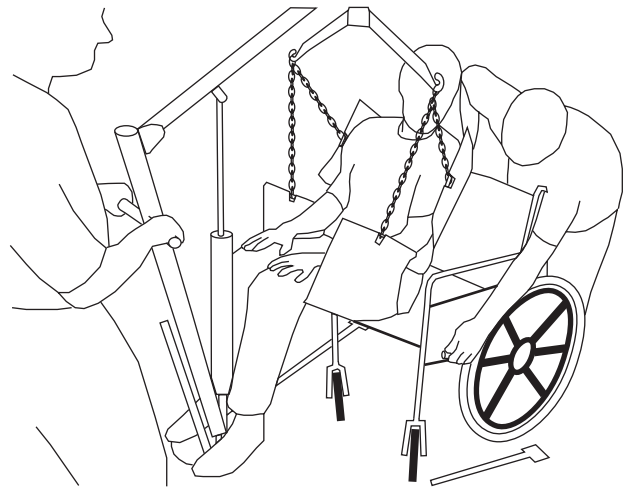


FIGURE 6 - TRANSFERRING TO A WHEELCHAIR

TRANSFERRING FROM A WHEELCHAIR TO A CAR

TRANSFERRING FROM A WHEELCHAIR TO A CAR (FIGURES 7A, 7B and 7C)

NOTE: To position an individual in a sling, follow the procedures concerning lifting the patient, operation and sling attachments.

NOTE: Invacare recommends that two (2) attendants be used when transferring a patient from a wheelchair to a car.

WARNING

When elevated a few inches off the seating surface of the wheelchair and before moving the patient, check again to make sure that all hardware or straps are properly connected. Check each S-hook to make sure it is completely attached to the metal support bars of the sling. Check the attachment of the straps, O or D-rings to the swivel bar hooks. If any attachments are NOT properly in place, lower the patient completely to correct this problem.

Adjustments for safety and comfort should be made before moving the patient. Patient's arms should be inside of the chains or straps.

Invacare slings and hardware are made specifically for use with Invacare Patient Lifts. For the safety of the patient, DO NOT intermix slings and patient lifts of different manufacturers. Warranty will be voided.

Invacare does NOT recommend locking of the rear casters of the patient lift when lifting an individual. Doing so could cause the lift to tip and endanger the patient and assistants. Invacare DOES recommend that the rear casters be left UNLOCKED during lifting procedures to allow the patient lift to stabilize itself when the patient is initially lifted from a chair, bed or any stationary object.

NOTE: The transfer to a car should be made on a level driveway or surface.

NOTE: Before lifting the patient from the chair, make sure to shorten the distance between the patient and the boom. This will make the transfer into the seat of the car easier.

NOTE: Attendants should practice "Good Body Mechanics" when positioning patient onto any seating surface.

1. Attach the chains or straps to swivel bar.
2. Engage the rear wheel locks of the wheelchair.
3. Lift the patient from the wheelchair.

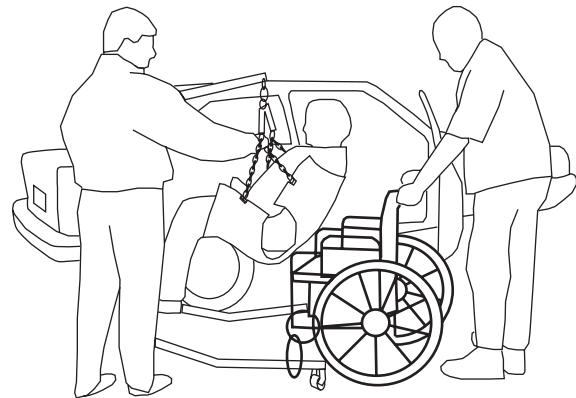
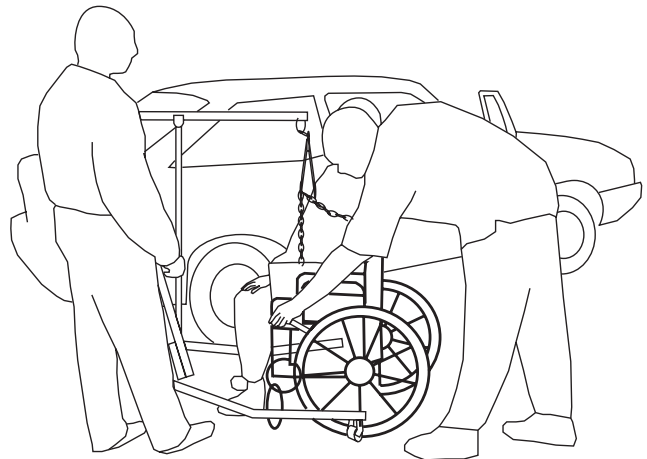
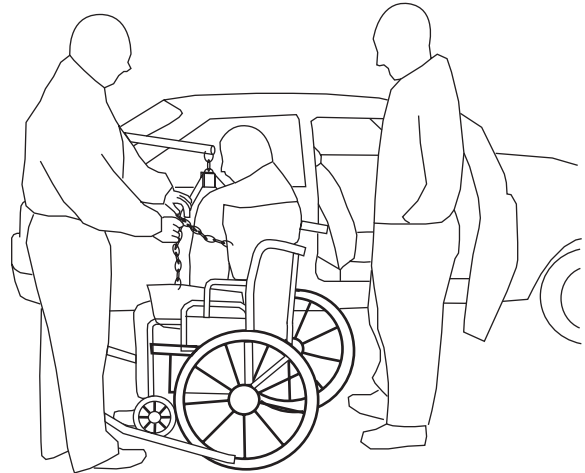


FIGURE 7A - TRANSFERRING FROM A WHEELCHAIR TO A CAR

TRANSFERRING FROM A WHEELCHAIR TO A CAR

4. The lift is moved, by the steering handles, to a position close to the doorway of the car.
5. Lower the boom of the lift until it is about even with the roof of the car.
6. As one (1) attendant pushes the patient into the car by his knees until he/she is positioned over the seat of the car, the other attendant lowers the boom. As the boom is being lowered, the first assistant is not only pushing but turning the patient so he/she is positioned facing the front of the car.
7. The patient will come to rest on the seat of the car.
8. While one (1) attendant is holding the patient, the other attendant removes the chains or straps from the swivel bar and slides the patient lift out of the way.
9. The sling may be left under the patient or removed.
10. The mast, boom and pump assembly may be removed from the base and transported in the car.

NOTE: If the lift and wheelchair are both packed in the trunk of the car, care should be taken not to damage the spokes of the wheelchair on the steering handles of the lift.

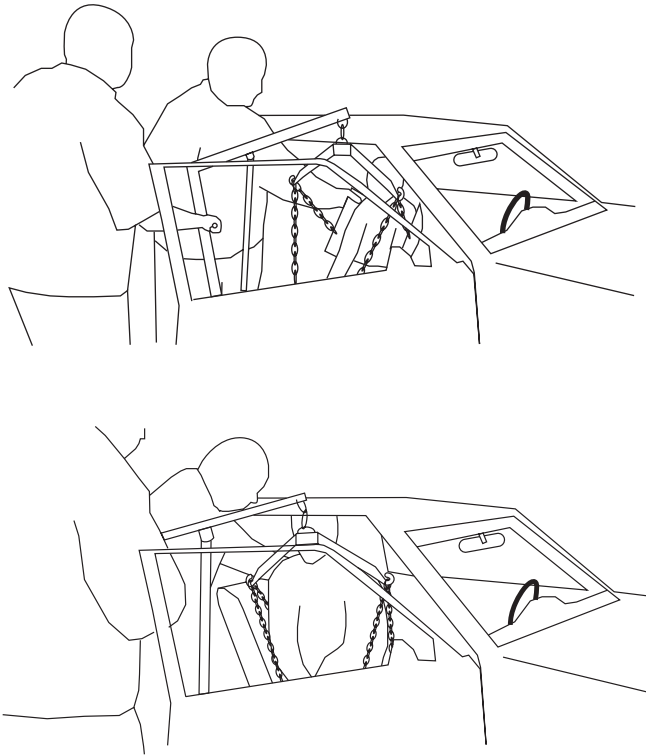


FIGURE 7B - TRANSFERRING FROM A WHEELCHAIR TO A CAR

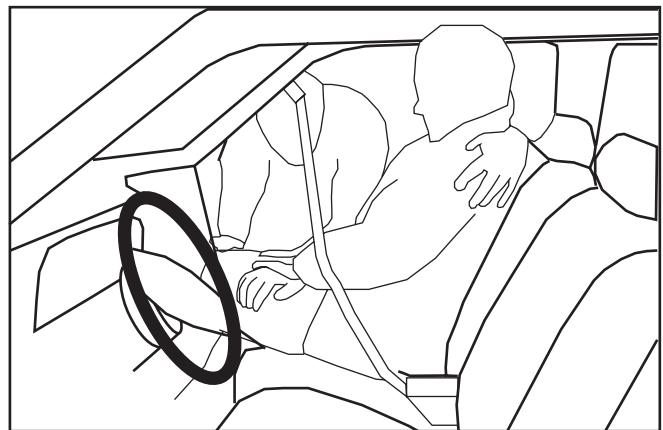
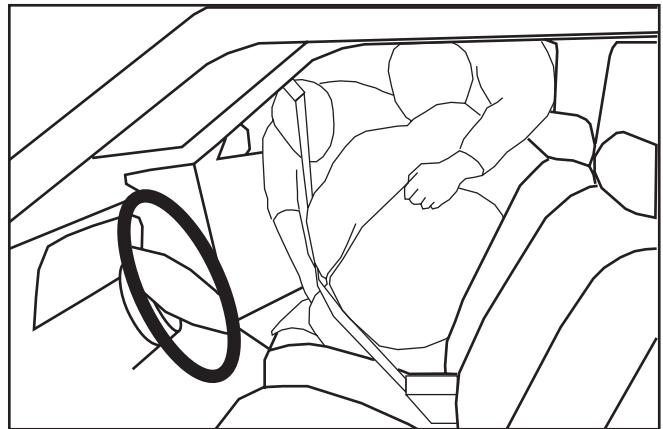


FIGURE 7C - TRANSFERRING FROM A WHEELCHAIR TO A CAR

TRANSFERRING FROM A CAR TO A WHEELCHAIR

TRANSFERRING FROM A CAR TO A WHEELCHAIR (FIGURE 8)

NOTE: Invacare recommends that two (2) attendants be used when transferring a patient from a wheelchair to a car.

WARNING

When elevated a few inches off the seat of the car and before moving the patient, check again to make sure that all hardware or straps are properly connected. Check each S-hook to make sure it is completely attached to the metal support bars of the sling. Check the attachment of the straps, O or D-rings to the swivel bar hooks. If any attachments are NOT properly in place, lower the patient completely to correct this problem.

Adjustments for safety and comfort should be made before moving the patient. Patient's arms should be inside of the chains or straps.

Invacare slings and hardware are made specifically for use with Invacare Patient Lifts. For the safety of the patient, DO NOT intermix slings and patient lifts of different manufacturers. Warranty will be voided.

Invacare does NOT recommend locking of the rear casters of the patient lift when lifting an individual. Doing so could cause the lift to tip and endanger the patient and assistants. Invacare DOES recommend that the rear casters be left UNLOCKED during lifting procedures to allow the patient lift to stabilize itself when the patient is initially lifted from a chair, bed or any stationary object.

NOTE: One (1) assistant will support patient at all times.

1. With the first assistant supporting the patient, the second assistant then lowers the boom of the patient lift until the hooks of the swivel bar are even with the roof of the car.
2. Attach the sling to the swivel bar.
3. Lift the patient up off of seat until straps are taut.
4. Turn patient with sling until legs are outside of car.

NOTE: Attendants should practice "Good Body Mechanics" when positioning patient onto any seating surface.

5. Lift up on legs with one (1) hand and tilt the patient back with the other hand.

6. The second assistant should pull the patient lift away from the car until the patient is completely clear of the door frame.
7. Release the patient back to his/her normal sitting position in the sling.
8. Position the wheelchair under the patient.
9. Engage the rear wheel locks of the wheelchair.

WARNING

Wheelchair wheel locks **MUST** be in a locked position before lowering the patient into the wheelchair for transport.

10. One (1) assistant will slowly lower the patient into the wheelchair while the other assistant guides him/her into the chair.

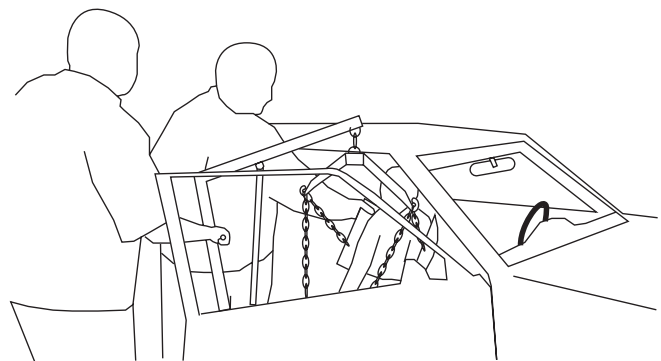
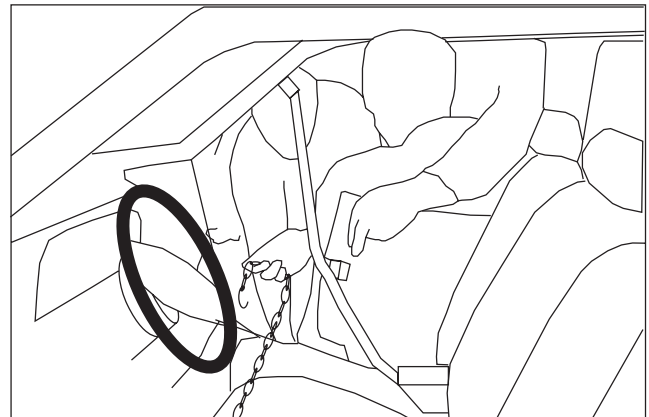


FIGURE 8 - TRANSFERRING FROM A CAR TO A WHEELCHAIR

CARE AND MAINTENANCE OF YOUR PATIENT LIFT

CARE AND MAINTENANCE OF YOUR PATIENT LIFT

NOTE: Follow the maintenance procedures described in this manual to keep your patient lift in continuous service.

The Invacare Patient Lift is designed to provide a maximum of safe, efficient and satisfactory service with minimum care and maintenance.

All parts of the Invacare Lift are made of the best grades of steel, but metal to metal contact will wear after considerable use.

There is no adjustment or maintenance of either the casters or brakes, other than cleaning, lubrication and checking axle and swivel bolts for tightness. Remove all debris, etc. from the wheel and swivel bearings. If any parts are worn, replace these parts immediately.

If you question the safety of any part of the lift, contact your Dealer immediately and advise him/her of your problem.

Hydraulic Pump

All parts of the Hydraulic Pump are precision machined, then carefully assembled and tested to ensure reliable service. The pump assembly is completely enclosed and sealed with Neoprene rings to prevent leakage of hydraulic oil. A small amount of oil (about a drop) will accumulate around the piston from time to time and should be removed with a facial tissue.

WARNING

The hydraulic pump is sealed at the factory and if service is required, the pump unit MUST be returned to the factory for repair. DO NOT attempt to OPEN the hydraulic pump or obtain local service. This will void the warranty and might result in damage and costly repair. Consult your dealer or write Invacare for information.

Lubrication

The Invacare lift is designed for minimum maintenance; however, a six (6) month check and lubrication should ensure continued safety and reliability.

Keep lift and slings clean and in good working order. Any defect should be noted and reported to your dealer as soon as possible.

The casters **MUST** swivel and roll smoothly. A light grease (waterproof auto lubricant) may be applied to the ball bearing swivel of the casters once a year. Apply more frequently if the casters are exposed to extreme moist conditions.

The connection between the mast and the base should be cleaned and coated with petroleum jelly prior to assembly.

Lubricate all pivot points. Wipe all excess lubricant from lift surface.

1. **Swivel Bar at Mounting Bracket**
2. **Boom Mounting Bracket**
3. **Boom to Mast Mount**
4. **Mast Mounting Bracket**
5. **Base to Mast Mount**
6. **Rear Casters**
7. **Front Casters**

Wear and Damage

It is important to inspect all stressed parts, such as slings, spreader bar and any pivot for slings for signs of cracking, fraying, deformation or deterioration. Replace any defective parts immediately and ensure that the lift is not used until repairs are made.

All sling metal parts should be inspected every three (3) months, and if wear is apparent, replacement must be made.

Cleaning

The sling should be washed regularly in water temperature of 140°F (60°C) and a biological solution. A soft cloth, dampened with water and a small amount of mild detergent, is all that is needed to clean the patient lift. The lift can be cleaned with non-abrasive cleaners. Auto wax or furniture polish will help maintain the sparkling finish over a long period of time.

MAINTENANCE SAFETY INSPECTION CHECKLIST

INSPECTION CHECKLIST

ITEM	INITIALLY	INSPECT/ ADJUST MONTHLY	INSPECT/ ADJUST PERIODICALLY
THE CASTER BASE Inspect for missing hardware. Lift Base opens/closes with ease. Inspect roll pin to ensure secure base. Inspect casters and axle bolts for tightness. Inspect casters for smooth swivel and roll. Apply a light grease to caster ball bearings.	X X X X X	X X X X	 X
SHIFTER HANDLE Operates smoothly. Locks adjustable base whenever engaged. Check roll pin for wear.	X X X	 X X	 X
THE MAST Mast should lock securely when assembled. Inspect for bends or deflections.	X X	X X	
THE BOOM Check all hardware and swivel bar supports. Inspect for bends or deflections. Inspect bolted joints of boom for wear. Inspect to ensure that the boom is centered between the base legs.	X X X X	X X X X	 X
THE SWIVEL BAR Check the hooks for wear or damaged. Check sling hooks for wear or deflection.	X X	X X	X X
THE PUMP ASSEMBLY Check for leakage. Inspect hardware on mast and boom. Check for wear or deflection of rod. (IF DAMAGED, RETURN TO FACTORY.)	X X X	X X X	X X X
THE PUMP HANDLE Check for smooth operation.	X		X
THE CONTROL VALVE Easy to maneuver and closes easily.	X		X
CLEANING Whenever necessary.			X
SLINGS AND HARDWARE CHECK ALL SLING HARDWARE, Chains, S-hooks, O-Rings and D-Rings each time it is used to ensure proper connection and patient safety. Inspect sling attachments and material for wear. Inspect nylon web straps for wear.	X X X	X X X	

ACCESSORIES

INVACARE 9833A WEIGHT MODULE

The Invacare 9833A Weight Module is a compact precision scale system designed specifically for the Invacare Patient Lift System. Completely self-contained, it interfaces the latest precision strain gauge transducer technology with signal conditioning electronics to provide stable, accurate and repeatable weight data.

Specifications

Weight Range:	450 lbs./206 kg
Resolution:	0.1 lbs./0.1 kg
Accuracy:	0.1% + 1 digit of reading
Display:	Liquid Crystal Digital
* Hold:	After one (1) minute. Automatic Power Down - two (2) minutes
Size:	3-inches x 3-inches x 4-inches
Weight:	One (1) pound
Power:	Nine (9) volt alkaline battery
Battery Life:	Approximately 3000 readings

Installation (FIGURE 1)

1. Remove locknut, bolt and swivel bar from boom.

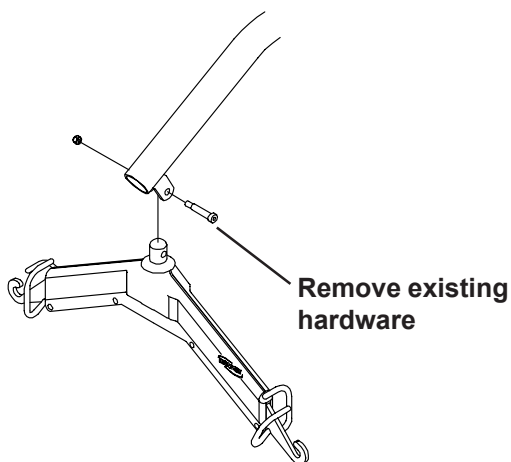


FIGURE 1 - SWIVEL BAR REMOVAL

NOTE: When reassembling the swivel bar hardware, slide the bolt through the hook of the weight module.

2. Use the NEW hardware which includes bolt, nut and thick washers and assemble the weight module to the boom mounting bracket (FIGURE 2).

CAUTION

DO NOT overtighten mounting hardware. This will damage mounting brackets. Swivel Bar **MUST** pivot. The bolt threads **MUST** protrude past the nut to ensure that locking feature functions.

3. Secure the TOP of the weight module mounting bracket to the BOTTOM of the weight module with the nut, thin washers and bolt provided (FIGURE 2).
4. Reattach the swivel bar to the BOTTOM of the weight module bracket with the existing bolt and nut (FIGURE 2).

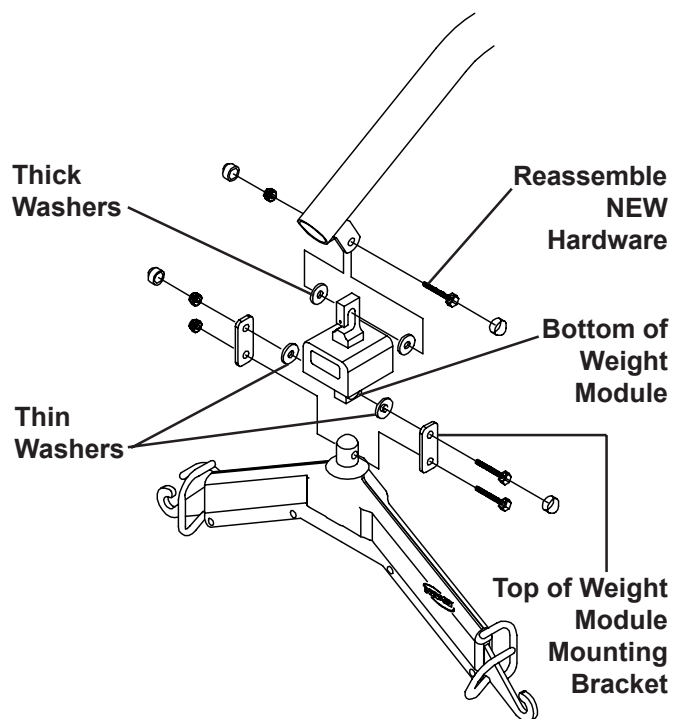


FIGURE 2 - WEIGHT MODULE INSTALLATION

ACCESSORIES

Operating Instructions

1. Set the lbs./kg switch to the desired mode.
2. With the swivel bar, chains/straps and sling attached to the weight module, press the OPERATE button on the front panel and adjust to ZERO by rotating the adjustment knob until you obtain a displayed reading of 00.0.

NOTE: The swivel bar, chains/straps and sling can also be weighed separately, then subtracted from the total weight which includes the patient and attaching hardware.

3. Place the patient in the sling.
4. Lift the patient to a height sufficient enough to ensure that the patient is not in contact with the bed, chair, etc.
5. When the patient's motion has stabilized, press the OPERATE button and the patient's weight will be displayed.

NOTE: Please observe that the weight module will automatically turn OFF after approximately two (2) minutes to conserve power. If the display turns OFF before you are able to record the patients weight, simply press the OPERATE button once again.

6. Carefully lower the patient after reading.

* HOLD Function: With the HOLD switch in the HOLD ON position, the display reading will FREEZE after approximately one (1) minute (lbs./kg will flash) then automatically turn off at the end of the two (2) minute timing cycle.

Battery Replacement

The weight module is powered by a nine (9) volt battery. This should provide approximately 3000 readings before needing replacement.

When battery replacement is needed a B will appear on the display.

Simply remove the two (2) screws on the sides of the module and slide the housing upward to access the battery.

CAUTION

Calibration and maintenance should be performed by trained factory personnel ONLY. The load cell transducer contains no user serviceable components. In the event of unauthorized tampering, warranties shall become null and void.

LIMITED WARRANTY

PLEASE NOTE: THE WARRANTY BELOW HAS BEEN DRAFTED TO COMPLY WITH FEDERAL LAW APPLICABLE TO PRODUCTS MANUFACTURED AFTER JULY 4, 1975.

This warranty is extended only to the original purchaser/user of our products.

This warranty gives you specific legal rights and you may also have other legal rights which vary from state to state.

Invacare warrants the products manufactured to be free from defects in materials and workmanship for a period of three (3) years on the lift and one (1) year on the slings, hydraulic pump / electric components from the date of purchase. If within such warranty period any such product shall be proven to be defective, such product shall be repaired or replaced, at Invacare's option. This warranty does not include any labor or shipping charges incurred in replacement part installation or repair of any such product. Invacare's sole obligation and your exclusive remedy under this warranty shall be limited to such repair and/or replacement.

For warranty service, please contact the dealer from whom you purchased your Invacare product. In the event you do not receive satisfactory warranty service, please write directly to Invacare at the address on the back cover, provide dealer's name, address, date of purchase, indicate nature of the defect.

Invacare Corporation will issue a serialized return authorization. The defective unit or parts **MUST** be returned for warranty inspection using the serial number, when applicable as identification within 30 days of return authorization date. Do not return products to our factory without our prior consent. C.O.D. shipments will be refused; please prepay shipping charges.

LIMITATIONS AND EXCLUSIONS: THE FOREGOING WARRANTY SHALL NOT APPLY TO SERIAL NUMBERED PRODUCTS IF THE SERIAL NUMBER HAS BEEN REMOVED OR DEFACED, PRODUCTS SUBJECTED TO NEGLIGENCE, ACCIDENT, IMPROPER OPERATION, MAINTENANCE OR STORAGE, PRODUCTS MODIFIED WITHOUT INVACARE'S EXPRESS WRITTEN CONSENT (INCLUDING, BUT NOT LIMITED TO, MODIFICATION THROUGH THE USE OF UNAUTHORIZED PARTS OR ATTACHMENTS; PRODUCTS DAMAGED BY REASON OF REPAIRS MADE TO ANY COMPONENT WITHOUT THE SPECIFIC CONSENT OF INVACARE, OR TO A PRODUCT DAMAGED BY CIRCUMSTANCES BEYOND INVACARE'S CONTROL, AND SUCH EVALUATION WILL BE SOLELY DETERMINED BY INVACARE. THE WARRANTY SHALL NOT APPLY TO PROBLEMS ARISING FROM NORMAL WEAR OR FAILURE TO ADHERE TO THE INSTRUCTIONS IN THIS MANUAL.

THE FOREGOING EXPRESS WARRANTY IS EXCLUSIVE AND IN LIEU OF ANY OTHER WARRANTIES WHATSOEVER, WHETHER EXPRESS OR IMPLIED, INCLUDING THE IMPLIED WARRANTIES OF MERCHANTABILITY AND FITNESS FOR A PARTICULAR PURPOSE, AND THE SOLE REMEDY FOR VIOLATIONS OF ANY WARRANTY WHATSOEVER, SHALL BE LIMITED TO REPAIR OR REPLACEMENT OF THE DEFECTIVE PRODUCT PURSUANT TO THE TERMS CONTAINED HEREIN, THE APPLICATION OF ANY IMPLIED WARRANTY WHATSOEVER SHALL NOT EXTEND BEYOND THE DURATION OF THE EXPRESS WARRANTY PROVIDED HEREIN. INVACARE SHALL NOT BE LIABLE FOR ANY CONSEQUENTIAL OR INCIDENTAL DAMAGES WHATSOEVER.

THIS WARRANTY SHALL BE EXTENDED TO COMPLY WITH STATE OR PROVINCIAL LAWS AND REQUIREMENTS.



Yes, you can.

Invacare Corporation

www.invacare.com

USA
One Invacare Way
Elyria, Ohio USA
44036-2125
800-333-6900

Canada
5970 Chedworth Way
Mississauga, Ontario
L5R 3T9, Canada
905-890-8838

Invacare, Yes, you can. and the Medallion Design are registered trademarks of Invacare Corporation.
© 2005 Invacare Corporation
Part No. 1024492 Rev D - 12/21/05

MADE IN CHINA